



---

Technical Information  
**1500-K/1720-K**

HMF Z001372







## Contents

Catalogue no. <b>31 086</b>	Section <b>00</b>
Date 07-11-2011	Page <b>1(1)</b>

	Series	Rev.	Section
Technical Data	1500-K	24-08-2009	31 086 10
Lifting capacity diagram, K1	1500-K	05-07-2007	31 086 21
Lifting capacity diagram, K2	1500-K	05-07-2007	31 086 22
Lifting capacity diagram, K3	1500-K	05-07-2007	31 086 23
Lifting capacity diagram, K4	1500-K	05-07-2007	31 086 24
Lifting capacity diagram, K5	1500-K	05-07-2007	31 086 25
Lifting capacity diagram, K6	1500-K	05-07-2007	31 086 26
Lifting capacity, K1-K6	1500-K	05-07-2007	31 086 35
Dimension sketch	1500-K/1720-K	18-03-2009	31 086 40
Slewing radius	1500-K/1720-K	05-07-2007	31 086 42
Dimension sketch for truck-mounted loader	1500-K/1720-K	05-11-2010	31 086 43
Lifting height at column	1500-K/1720-K	05-07-2007	31 086 45
Dimension sketch, fixed stabilizer legs	1500-K/1720-K	21-09-2009	31 086 50
Dimension sketch, manual swing-up stabilizer legs	1500-K/1720-K	21-09-2009	31 086 51
Dimension sketch, hydraulic swing-up stabilizer legs	1500-K/1720-K	21-09-2009	31 086 52
Dimension sketch, TS	1500-K/1720-K	18-03-2009	31 086 53
Dimension sketch, ladder for TS	1500-K/1720-K	18-03-2009	31 086 54
Technical data, winch	1500-K/1720-K	23-11-2007	31 086 55
Dimension sketch, winch	1500-K/1720-K	18-03-2009	31 086 56
Dimension sketch, stand-up platform (std.)	1500-K/1720-K	01-09-2007	31 086 57
Dimension sketch, stand-up platform (valve control)	1500-K/1720-K	01-09-2007	31 086 58
Dimension sketch, internal hose routing	1500-K/1720-K	05-11-2010	31 086 59
Stowed in truck body	1500-K/1720-K	05-07-2007	31 086 65
Centres of gravity	1500-K/1720-K	05-11-2010	31 086 75
Technical Data	1720-K	24-08-2009	31 086 210
Lifting capacity diagram, K1	1720-K	05-07-2007	31 086 221
Lifting capacity diagram, K2	1720-K	05-07-2007	31 086 222
Lifting capacity diagram, K3	1720-K	05-07-2007	31 086 223
Lifting capacity diagram, K4	1720-K	05-07-2007	31 086 224
Lifting capacity diagram, K5	1720-K	05-07-2007	31 086 225
Lifting capacity diagram, K6	1720-K	05-07-2007	31 086 226
Lifting capacity, K1-K6	1720-K	05-11-2010	31 086 235
<b>1720-K with Fly-jib</b>			
Technical Data, 1720-K with Fly-jib	1720-K	18-03-2009	31 086 250
Lifting capacity diagram, 1720-K3 with FJ600 K3	1720-K	12-01-2009	31 086 253
Lifting capacity diagram, 1720-K3 with FJ600 K4	1720-K	12-01-2009	31 086 254
Lifting capacity diagram, 1720-K4 with FJ350 K3	1720-K	12-01-2009	31 086 255
Lifting capacity diagram, 1720-K4 with FJ350 K4	1720-K	12-01-2009	31 086 256
Lifting capacity diagram, 1720-K5 with FJ350 K3	1720-K	12-01-2009	31 086 257
Lifting capacity diagram, 1720-K5 with FJ350 K4	1720-K	12-01-2009	31 086 258
Lifting capacity, 1720-K3 with FJ600	1720-K	26-01-2009	31 086 260
Lifting capacity, 1720-K4 with FJ350	1720-K	26-01-2009	31 086 261
Lifting capacity, 1720-K5 with FJ350	1720-K	26-01-2009	31 086 262
Dimension sketch, 1720-K3 with FJ600	1720-K	18-03-2009	31 086 265
Dimension sketch, 1720-K4 with FJ350	1720-K	18-03-2009	31 086 266
Dimension sketch, 1720-K5 with FJ350	1720-K	18-03-2009	31 086 267

# Technical Information, 1500-K



## Technical Data

Catalogue no.	Section
31 086	10
Date	Page
24-08-2009	1(2)

Performance		1500-K1	1500-K2	1500-K3	1500-K4	1500-K5	1500-K6
Loading group (EN12999)		H1/B3	H1/B3	H1/B3	H1/B3	H1/B3	H1/B3
Load moment	tm	14,5	14	13,6	13,2	12,8	12,5
Hydraulic reach	m	6,2	8,3	10,4	12,7	14,9	17,2
Hydraulic telescopic movement	mm	1930	3940	6040	8230	10390	12580
Lifting capacity, hydraulic	kg-m	3370 - 4,3 2330 - 6,2	3240 - 4,3 2200 - 6,3 1650 - 8,3	3080 - 4,4 2060 - 6,3 1520 - 8,3 1200 - 10,4	2940 - 4,5 1930 - 6,4 1400 - 8,4 1080 - 10,5 880 - 12,7	2810 - 4,6 1820 - 6,5 1290 - 8,5 970 - 10,6 770 - 12,8 650 - 14,9	2690 - 4,6 1710 - 6,6 1190 - 8,6 880 - 10,7 680 - 12,9 560 - 15,0 480 - 17,2
Lifting capacity, manual extensions	kg-m		1240 - 10,4 960 - 12,6 760 - 15,0	920 - 12,7 720 - 15,0 590 - 17,3	680 - 15,0 550 - 17,4 450 - 19,7	510 - 17,2 420 - 19,6	390 - 19,6
Slewing torque, gross	kNm	17,6	17,6	17,6	17,6	17,6	17,6
Slewing angle	°	400	400	400	400	400	400
Max. heel at max. load moment	°	5	5	5	5	5	5
Slewing speed	°/s	24	24	24	24	24	24

## Dimensions

Height above chassis	mm	2250	2250	2250	2250	2250	2250
Width	mm	2500	2500	2500	2500	2500	2500
Length, no extra valves	mm	825	825	825	825	825	825
Length, with extra valves (hose guides)	mm	950	950	950	950	950	950
Length, with extra valves (int. hose routing)	mm	825	825	825	825	825	825
Stabilizer spread, S1 (standard)	mm	4615	4615	4615	4615	4615	4615
Stabilizer spread, S2	mm	5590	5590	5590	5590	5590	5590
Stabilizer spread, D	mm	6470	6470	6470	6470	6470	6470

## Weights, basic loader

Standard loader 1), excl. stabilizers	kg	1420	1560	1700	1835	1955	2050
Stabilizers, S1 fixed	kg	200	200	200	200	200	200
Stabilizers, S1 swing-up	kg	205	205	205	205	205	205
Stabilizers, S1 hydr. swing-up	kg	215	215	215	215	215	215
Stabilizers, S2 fixed	kg	235	235	235	235	235	235
Stabilizers, S2 swing-up	kg	240	240	240	240	240	240
Stabilizers, S2 hydr. swing-up	kg	250	250	250	250	250	250
Stabilizers, D fixed	kg	300	300	300	300	300	300
Stabilizers, D swing-up	kg	300	300	300	300	300	300
Stabilizers, D hydr. swing-up	kg	315	315	315	315	315	315
Mounting kit, 4 bolts	kg	55	55	55	55	55	55
Mounting kit, 8 bolts	kg	60	60	60	60	60	60
Tank, excl. oil (fitted on loader)	kg	45	45	45	45	45	45
Manual extensions	kg		85	75	65	45	40
	kg		75	65	45	40	
	kg		65	45	40		
Oil in loader (stowing position)	kg	30	35	40	45	50	50

1) Weights ± 5% because of tolerances for plate thickness







## Technical Data

 Catalogue no.  
**31 086**

 Section  
**10**

 Date  
 24-08-2009

 Page  
**2(2)**

### Weights, equipment

		1500-K1	1500-K2	1500-K3	1500-K4	1500-K5	1500-K6
Stand-up controls (HS), std.	kg	60	60	60	60	60	60
Stand-up controls (HS), direct valve control	kg	70	70	70	70	70	70
Top seat (TS)	kg	90	90	90	90	90	90
Top seat, ladder	kg	20	20	20	20	20	20
1 extra valve, hose guides	kg	40	55	65	75	85	95
1 extra valve, int. hose routing	kg	75	75	75	80	80	85
2 extra valves, hose guides	kg	60	75	90	105	120	135
2 extra valves, int. hose routing	kg	130	130	130	140	145	150
Winch (1.5 t), single snatch block	kg	175	175	175	175	175	180
Winch (1.5 t), double snatch block	kg	170	170	170	170	170	175
Winch (2.5 t), single snatch block	kg	200	200	200	200	200	205
Winch (2.5 t), double snatch block	kg	195	195	195	195	195	200
High-pressure filter	kg	7	7	7	7	7	7
Oil cooler	kg	25	25	25	25	25	25

### Max. load on stabilizers (per stabilizer cylinder)

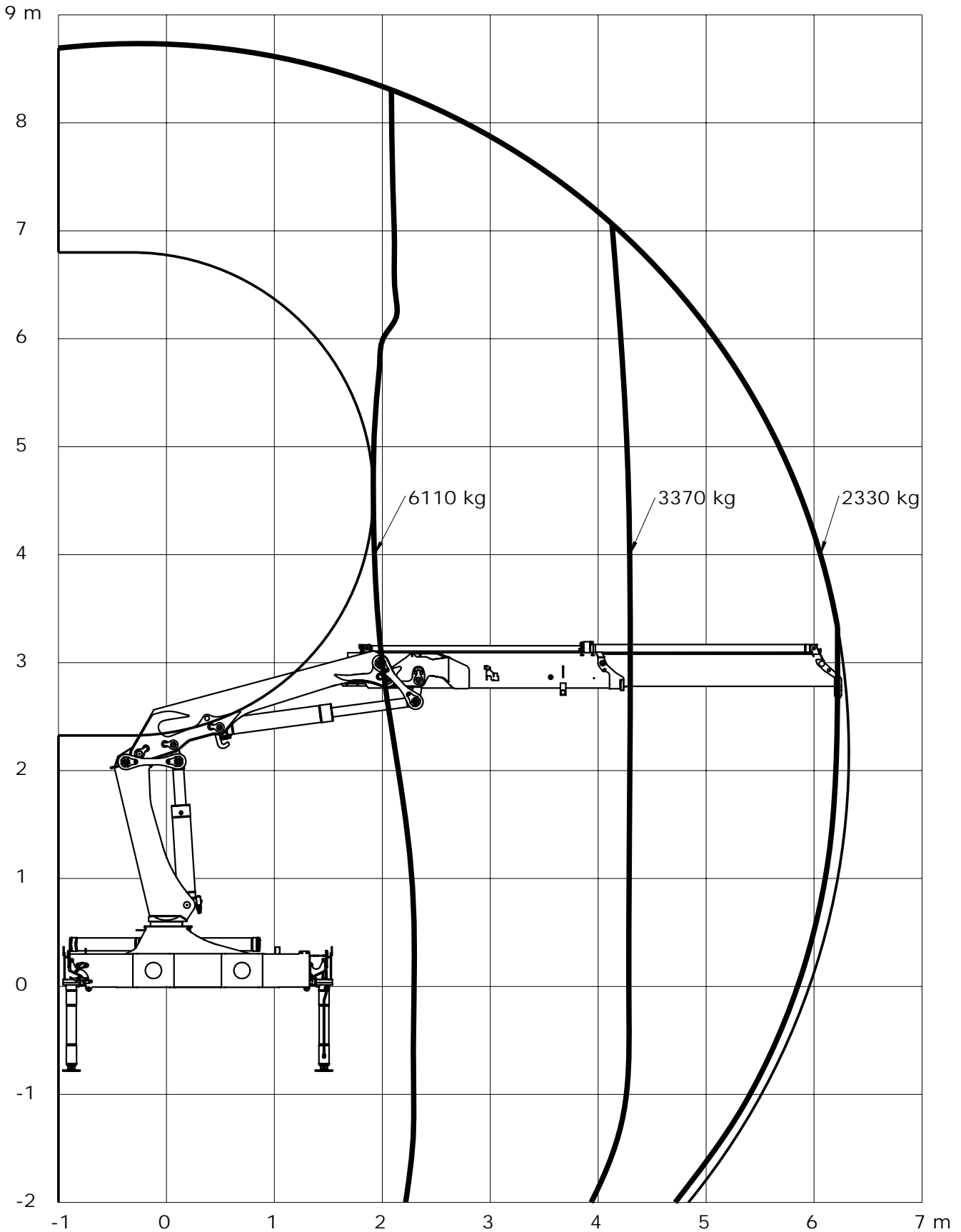
S1, fixed	kN	85	85	85	85	85	85
S1, swing-up	kN	85	85	85	85	85	85
S1, hydr. swing-up	kN	85	85	85	85	85	85
S2, fixed	kN	85	85	85	85	85	85
S2, swing-up	kN	85	85	85	85	85	85
S2, hydr. swing-up	kN	85	85	85	85	85	85
D, fixed	kN	68	68	68	68	68	68
D, swing-up	kN	68	68	68	68	68	68
D, hydr. swing-up	kN	68	68	68	68	68	68

### Power consumption / oil capacity

Working pressure	Bar	300	300	300	300	300	300
Tank capacity (fitted on loader)	L	90	90	90	90	90	90
Max. pump performance, Hydrocontrol, 1-circuit	L/min	50	50	50	50	50	50
Max. pump performance, Hydrocontrol, 2-circuit	L/min	2x40	2x40	2x40	2x40	2x40	2x40
Max. pump performance, Danfoss fixed flow	L/min	-	-	-	-	-	-
Max. pump performance, Danfoss variable	L/min	-	-	-	-	-	-

## Lifting capacity diagram, K1

Catalogue no.	Section
31 086	21
Date	Page
05-07-2007	1 (1)



Loading group: EN12999 H1/B3

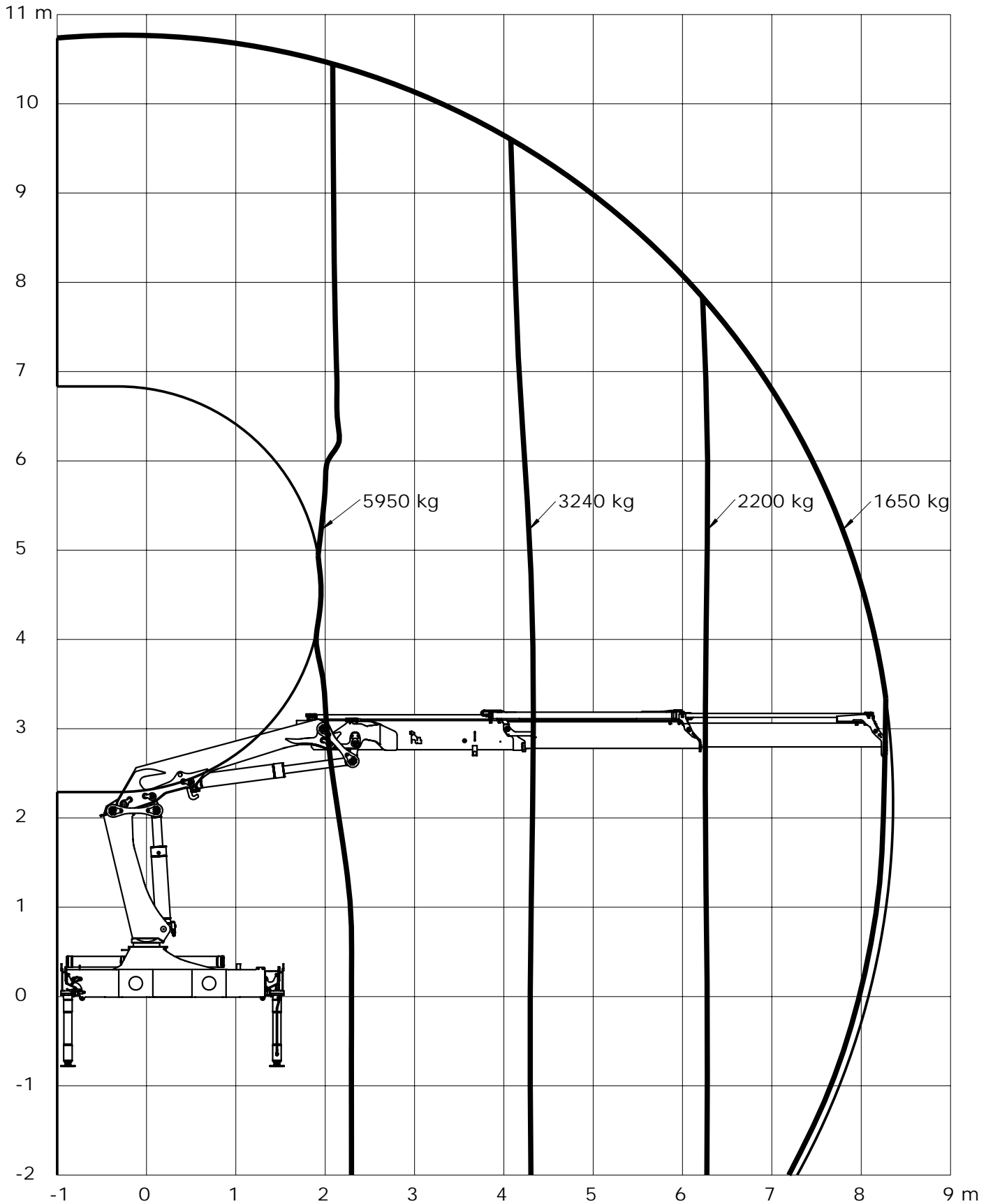


# Technical Information 1500-K



## Lifting capacity diagram, K2

Catalogue no.	Section
31 086	22
Date	Page
05-07-2007	1 (1)

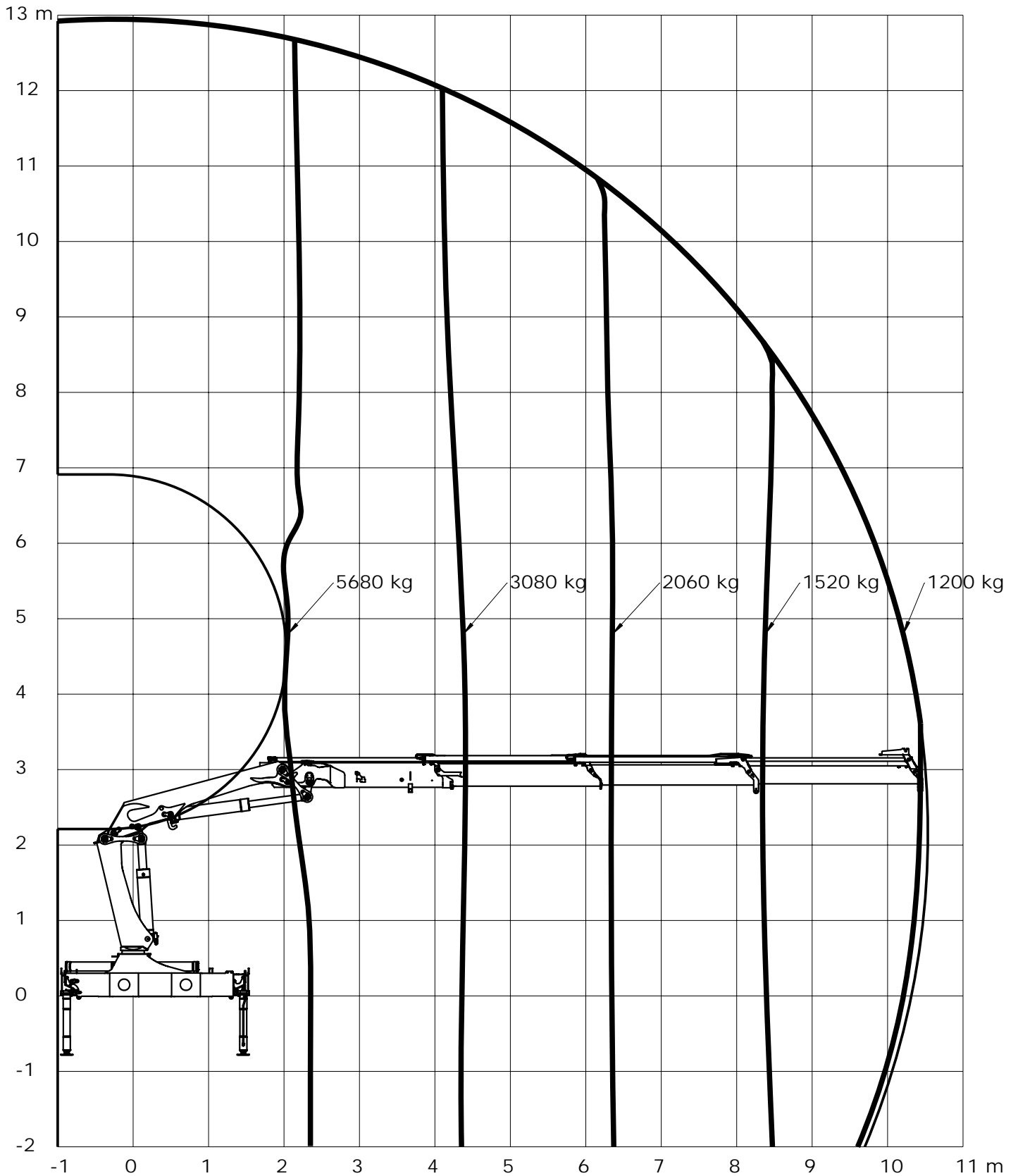


Loading group: EN12999 H1/B3



## Lifting capacity diagram, K3

Catalogue no.	Section
31 086	23
Date	Page
05-07-2007	1 (1)

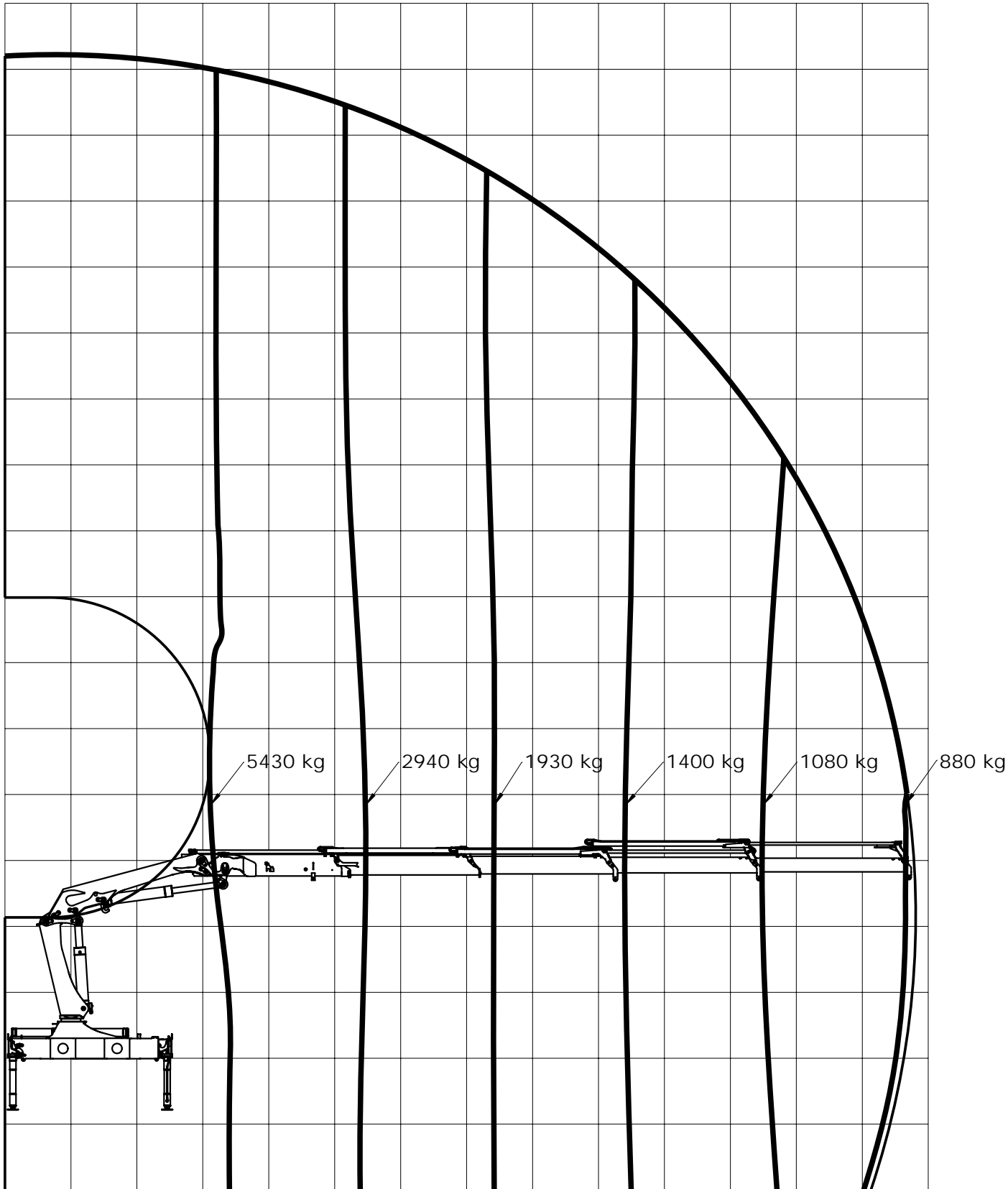


Loading group: EN12999 H1/B3



Lifting capacity diagram, K4

Catalogue no.	Section
31 086	24
Date	Page
05-07-2007	1 (1)

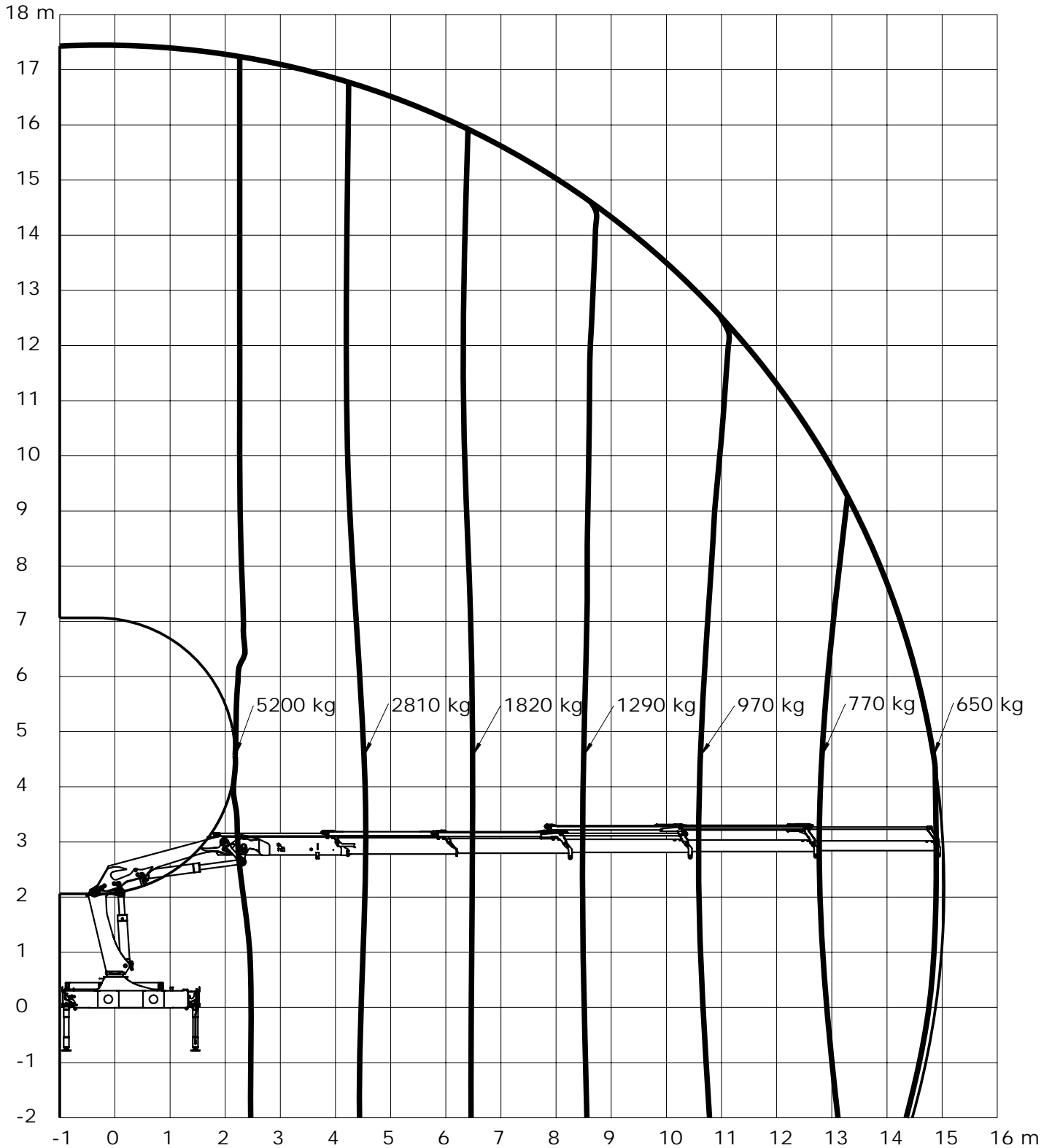


Loading group: EN12999 H1/B3



## Lifting capacity diagram, K5

Catalogue no.	Section
31 086	25
Date	Page
05-07-2007	1 (1)

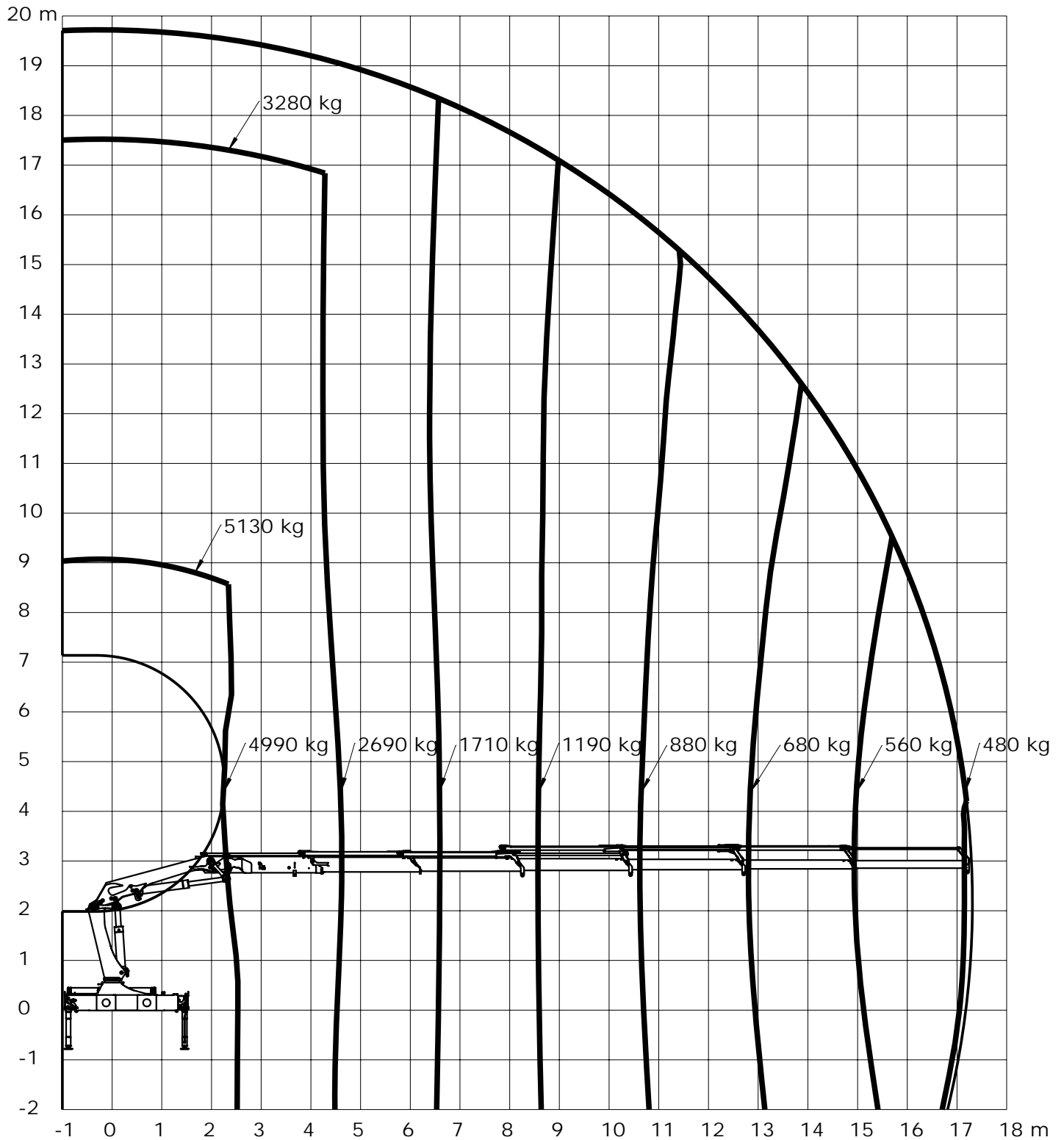


Loading group: EN12999 H1/B3



## Lifting capacity diagram, K6

Catalogue no.	Section
31 086	26
Date	Page
05-07-2007	1 (1)



Loading group: EN12999 H1/B3



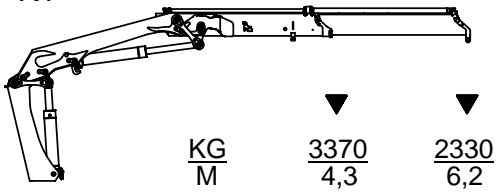
# Technical Information 1500-K



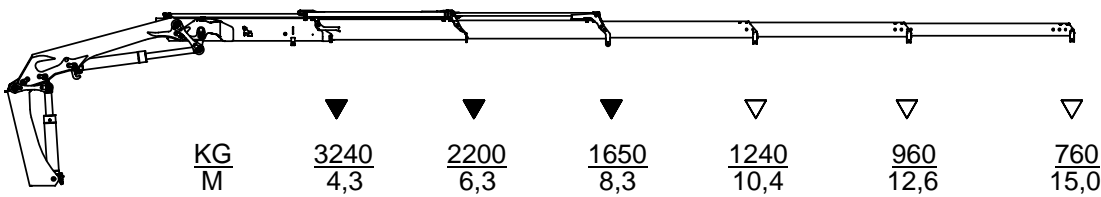
## Lifting capacity, K1-K6

Catalogue no.	31 086	Section	35
Date	05-07-2007	Page	1 (1)

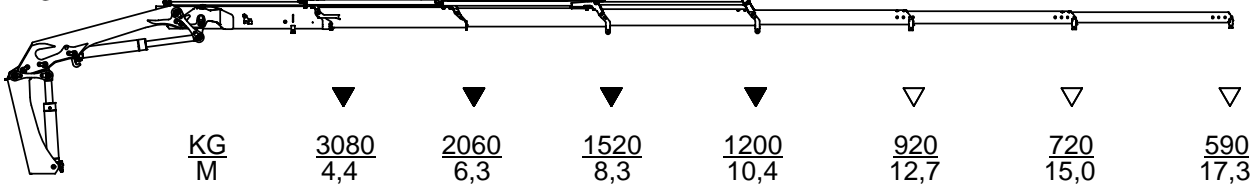
K1



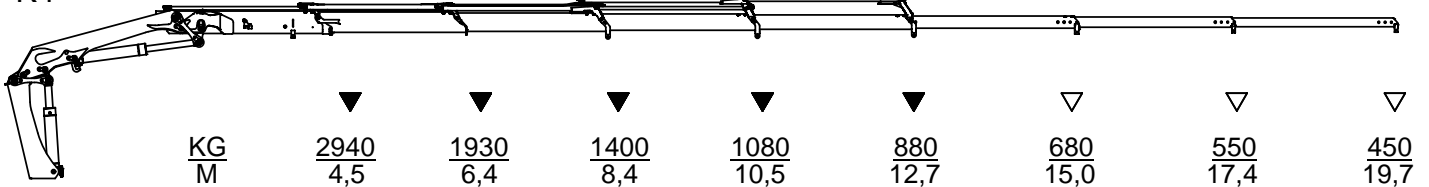
K2



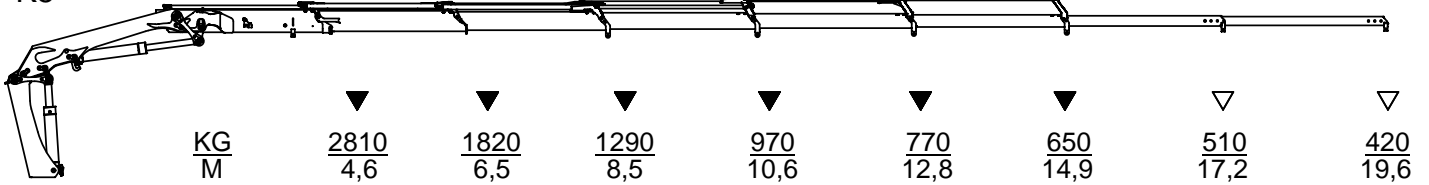
K3



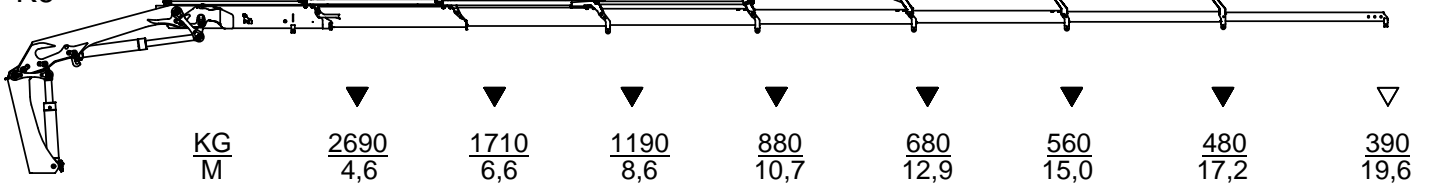
K4



K5



K6



▽ Løfteevne med forlængerarme/Lifting capacity with man. extensions

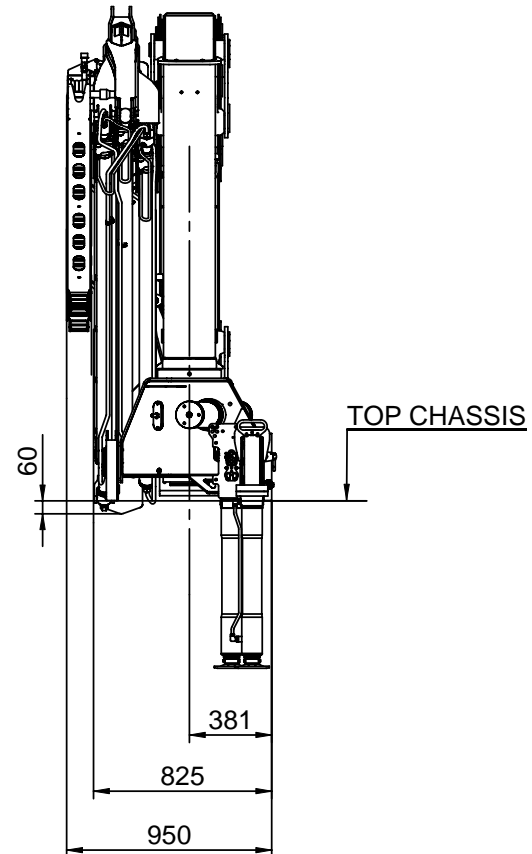
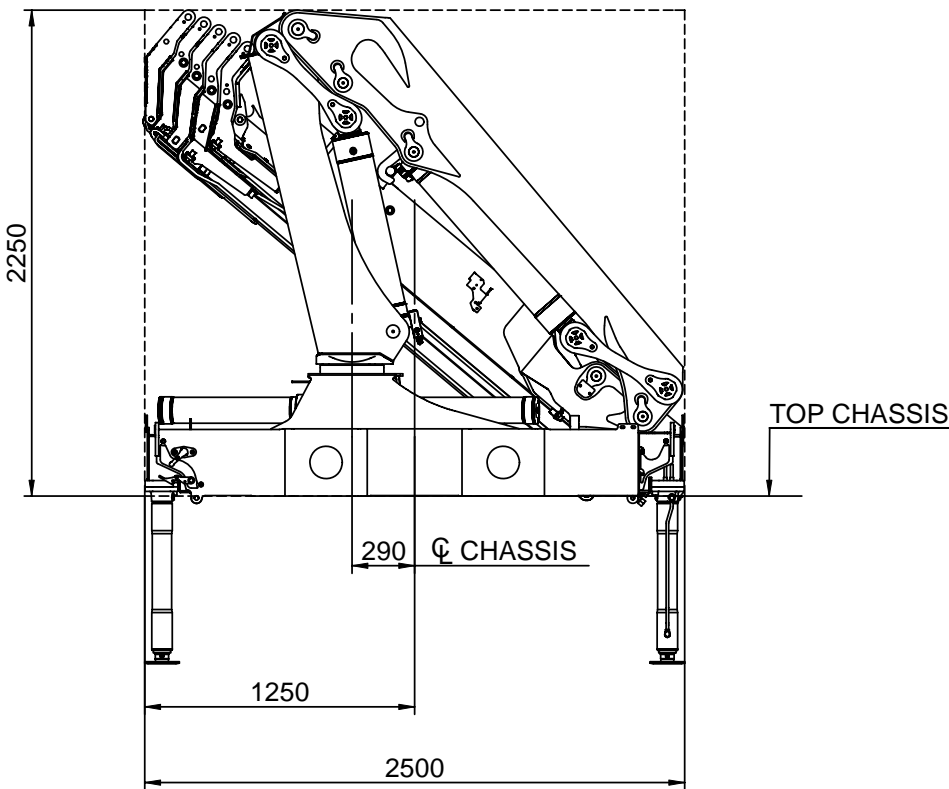
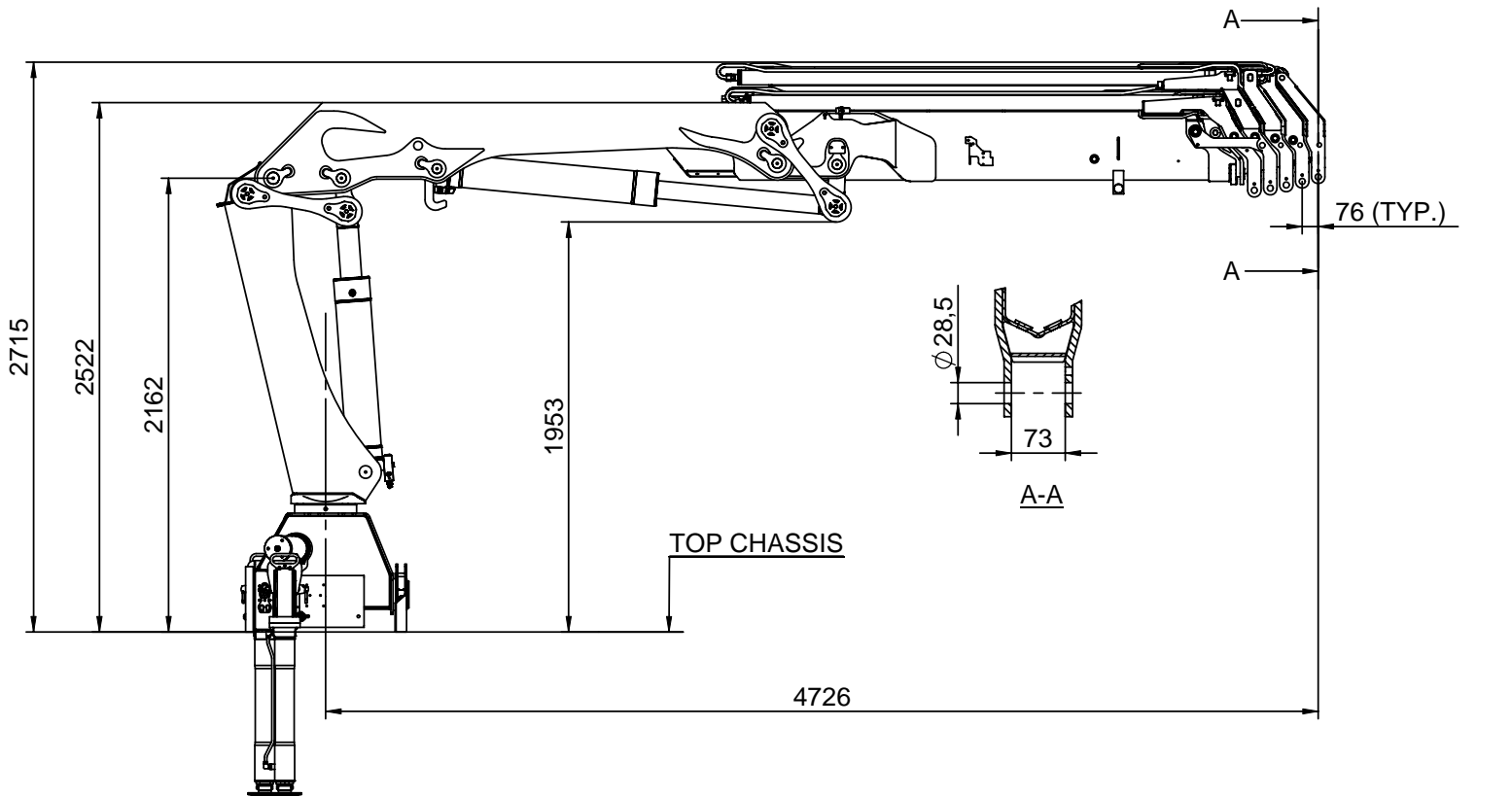
▼ Løfteevne uden forlængerarme/Lifting capacity without man. extensions





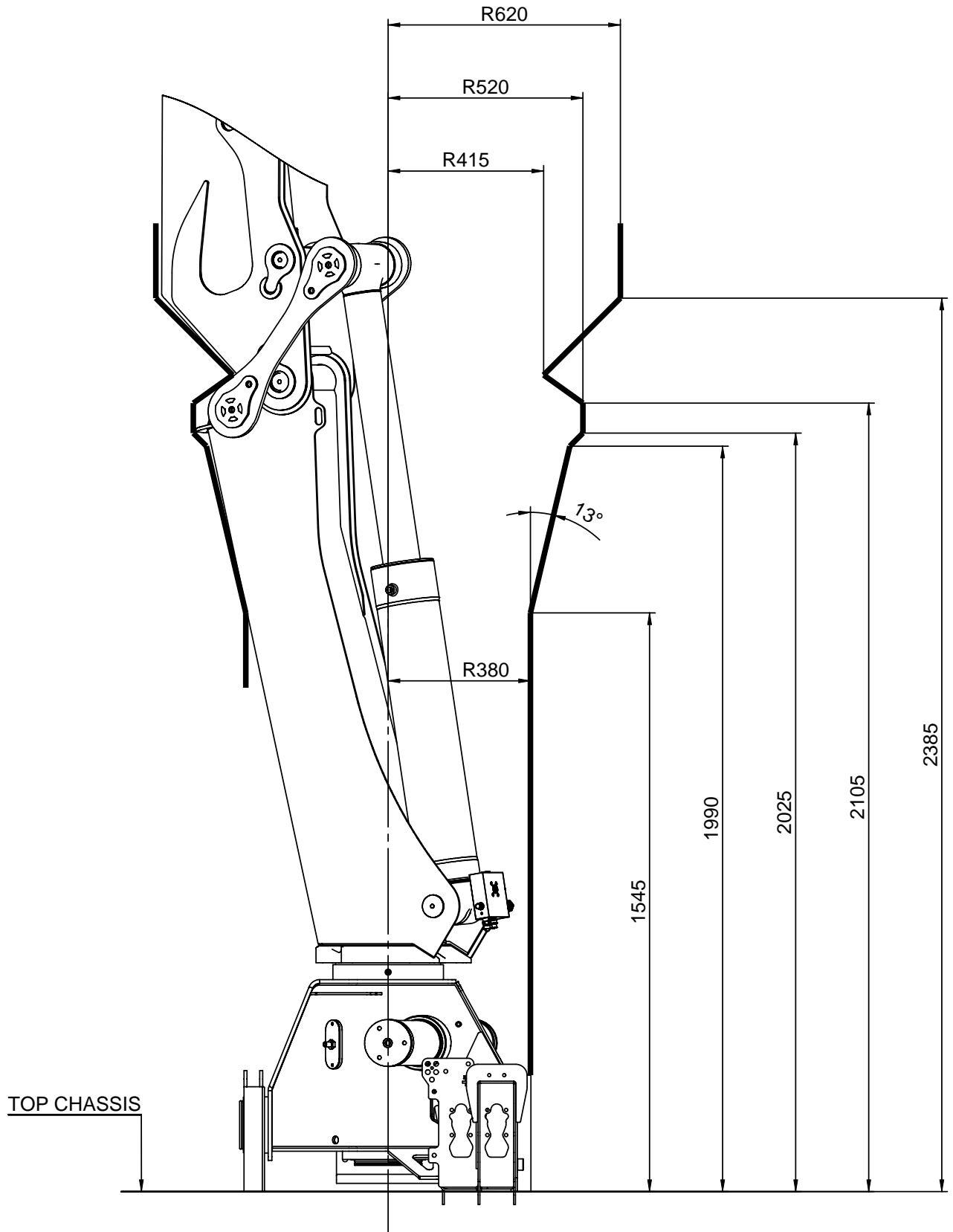
## Dimension sketch

Catalogue no.	Section
31 086	40
Date	Page
18-03-2009	1 (1)



## Slewing radius

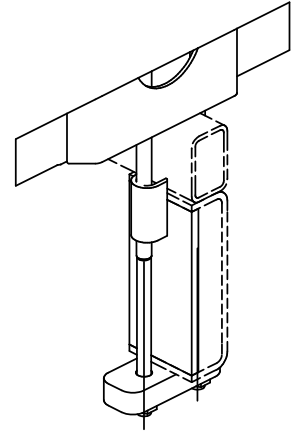
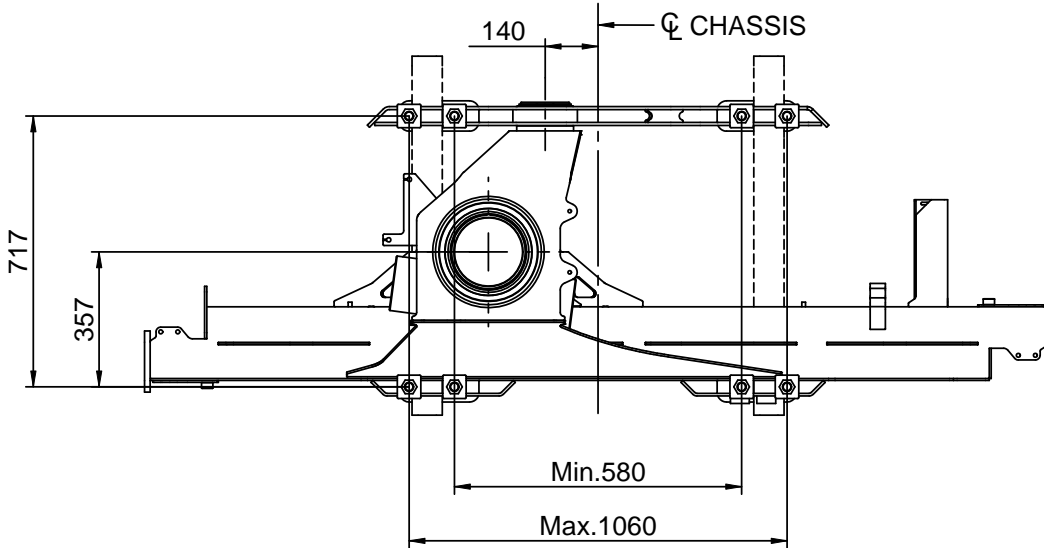
Catalogue no.	Section
31 086	42
Date	Page
05-07-2007	1 (1)



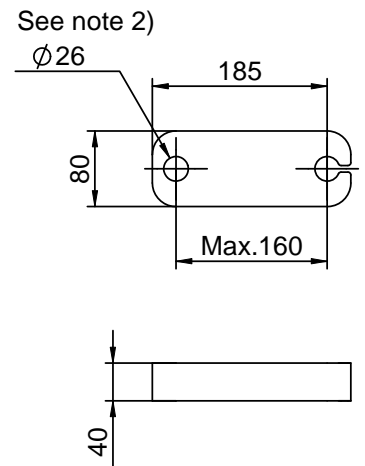
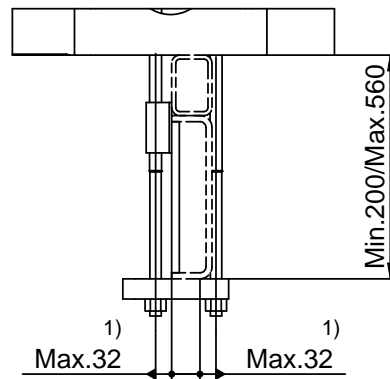
## Dimension sketch for truck-mounted loader

Catalogue no.	Section
31 086	43
Date	Page
05-11-2010	1 (1)

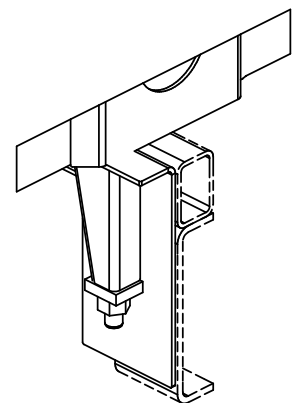
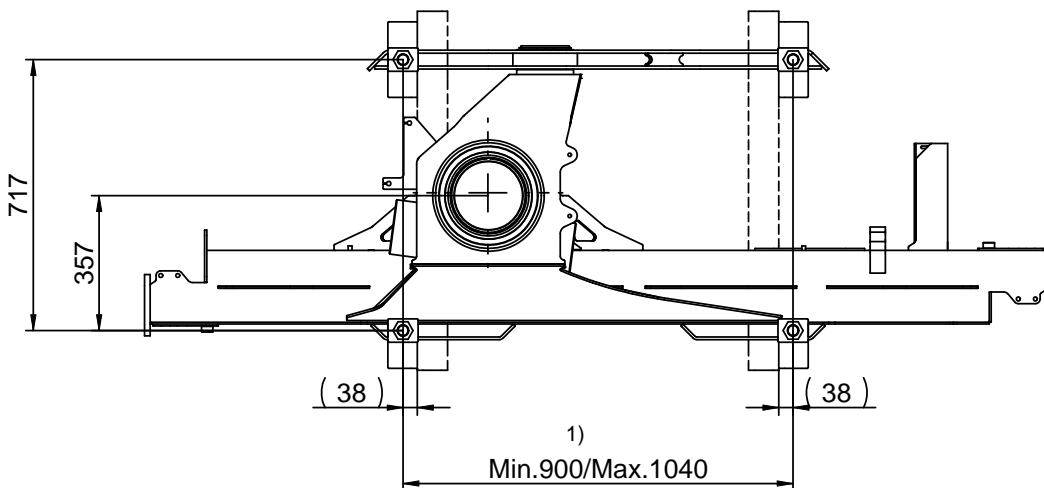
### Mounting kit 8 x M24x2 bolts



- Notes:
- 1) Values dictated by strength considerations.
  - 2) Drill hole when assembling
  - 3) As regards installation - please see HMF Installation Manual
  - 4) Mounting kits or spare parts - please see the Spare Parts Catalogue of the individual loader



### Mounting kit 4 x M30x2 bolts



## Lifting height at column

Catalogue no.

31 086

Section

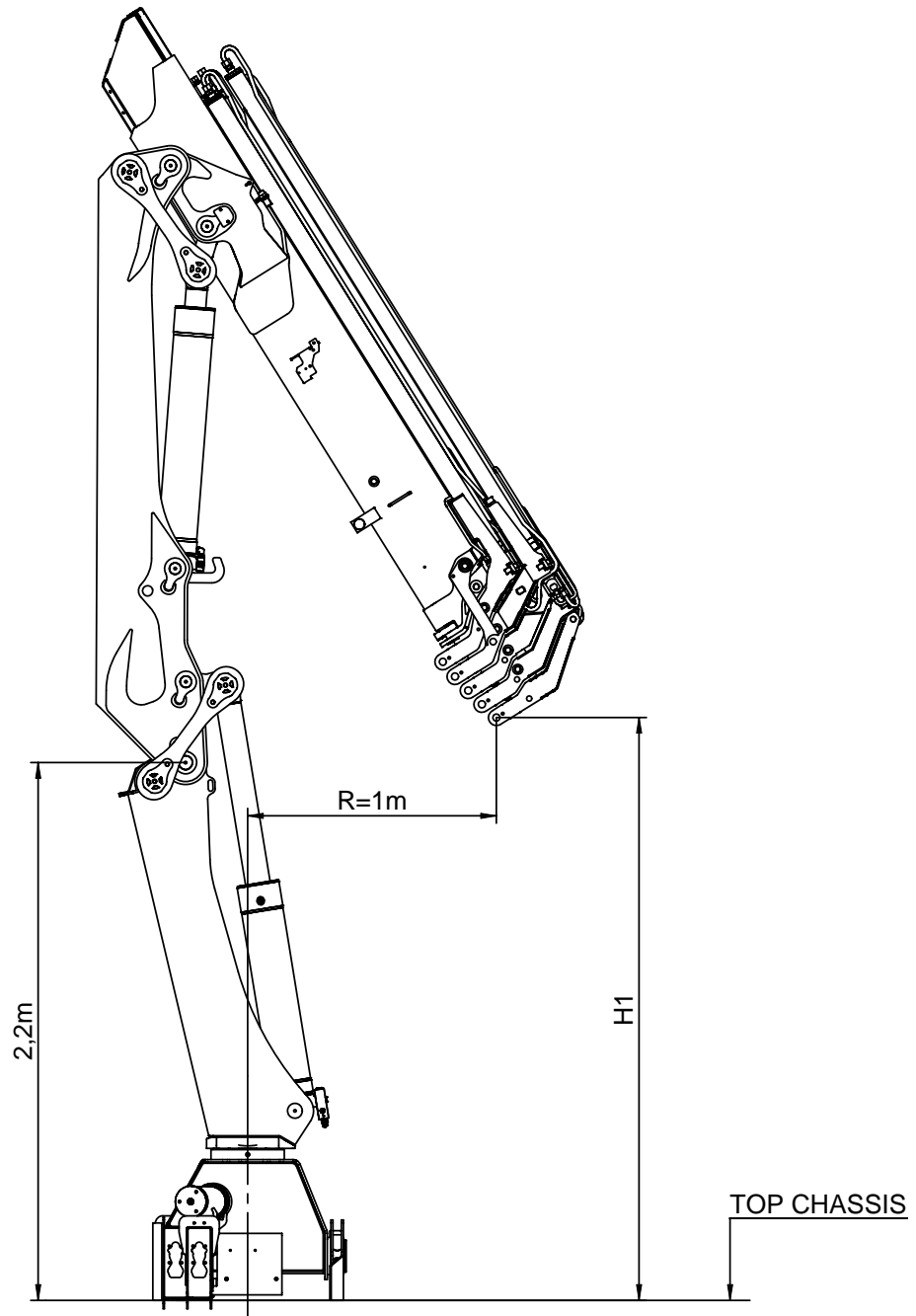
45

Date

05-07-2007

Page

1 (1)

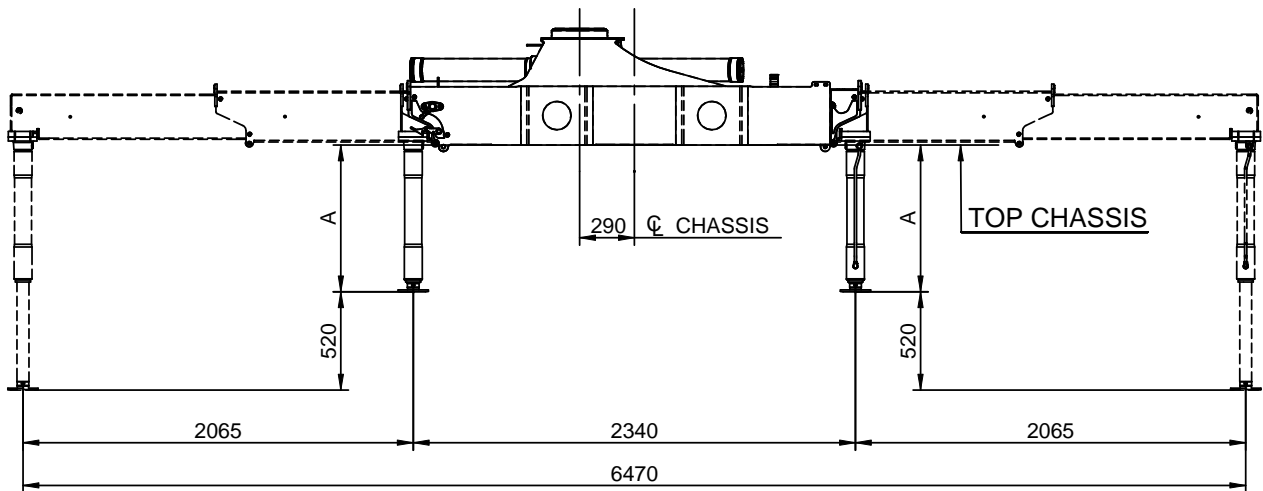
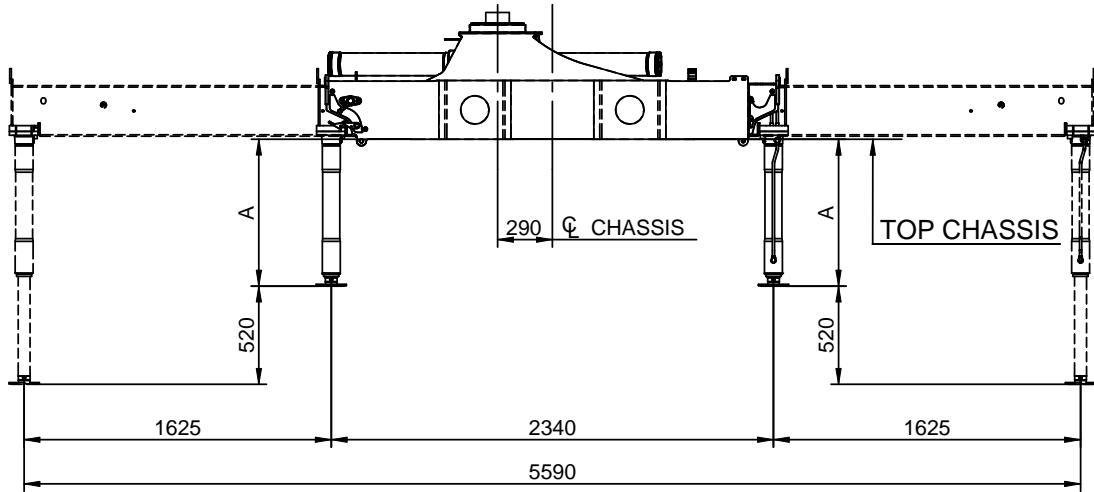
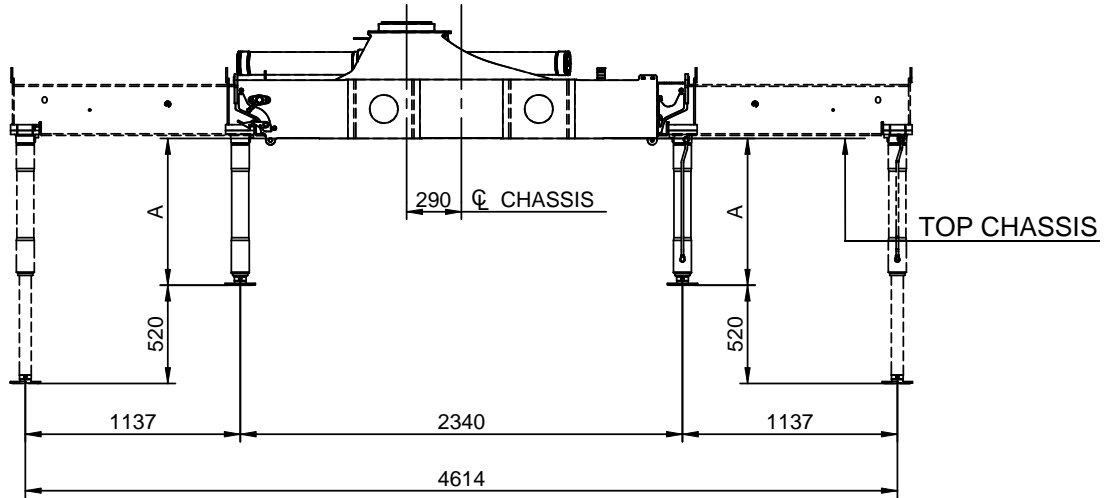


	H1
K1	2,76m
K2	2,71m
K3	2,62m
K4	2,53m
K5	2,44m
K6	2,35m



## Dimension sketch, fixed stabilizer legs

Catalogue no.	Section
31 086	50
Date	Page
21-09-2009	1 (2)



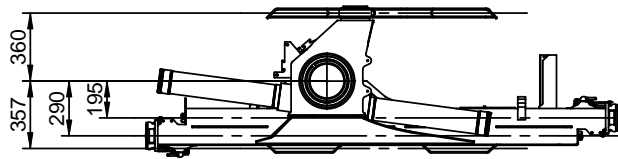
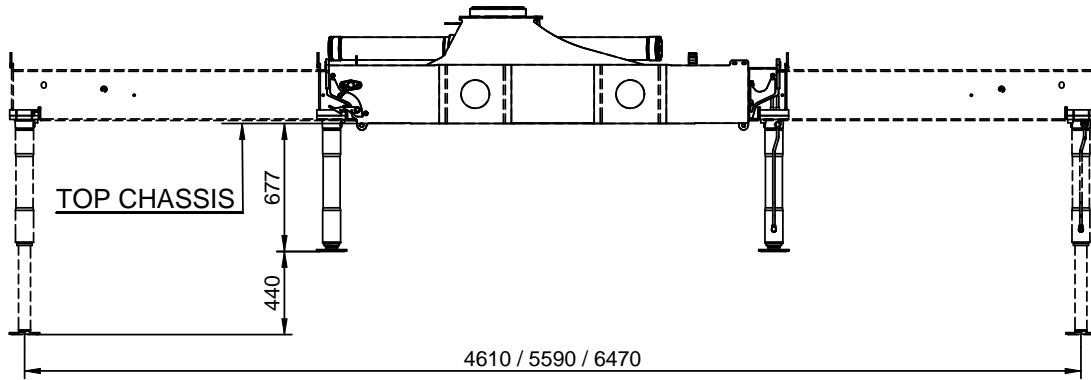
A	777	877	977



## Dimension sketch, fixed stabilizer legs

Catalogue no.	31 086	Section	50
Date	21-09-2009	Page	2 (2)

### Stabilizer cylinder, C80-440

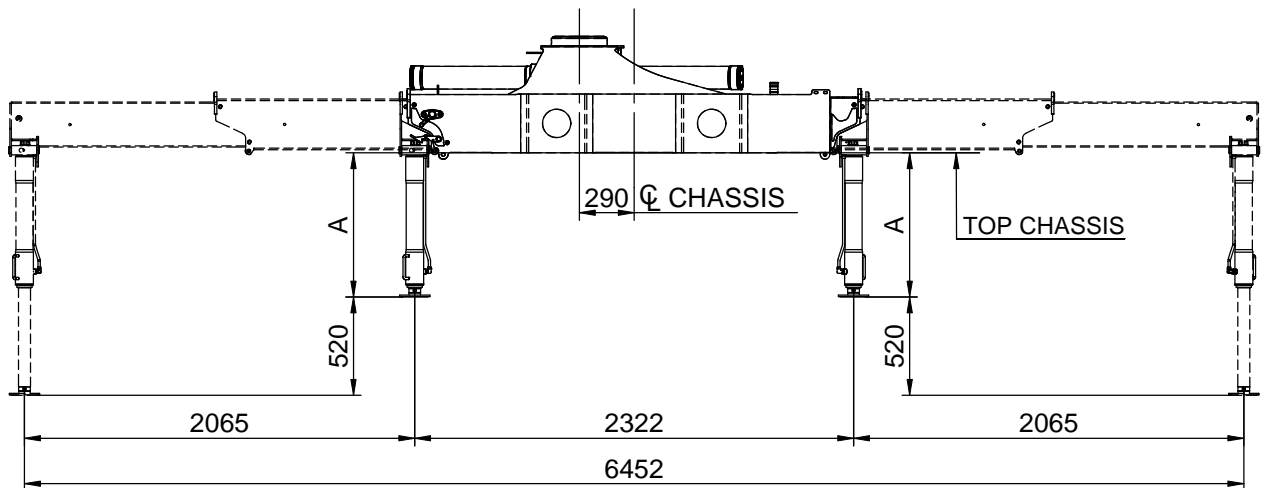
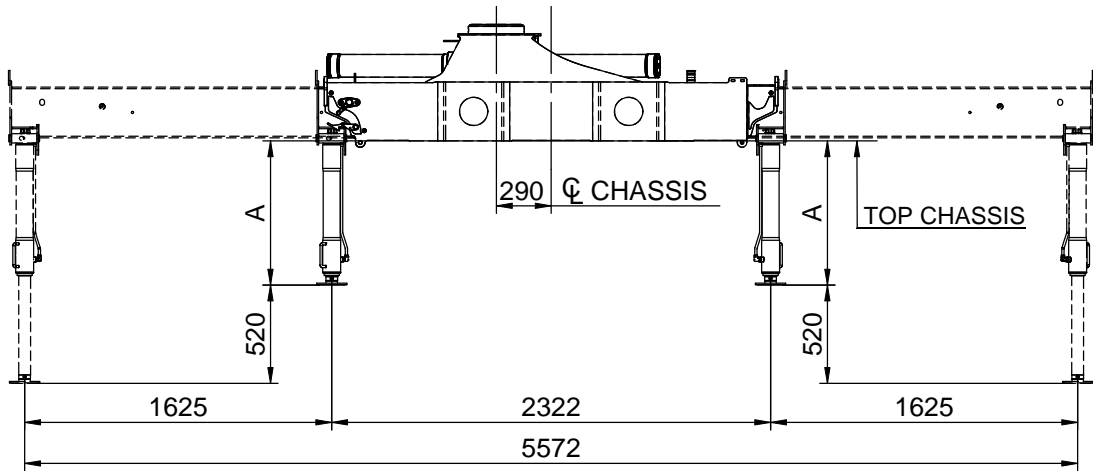
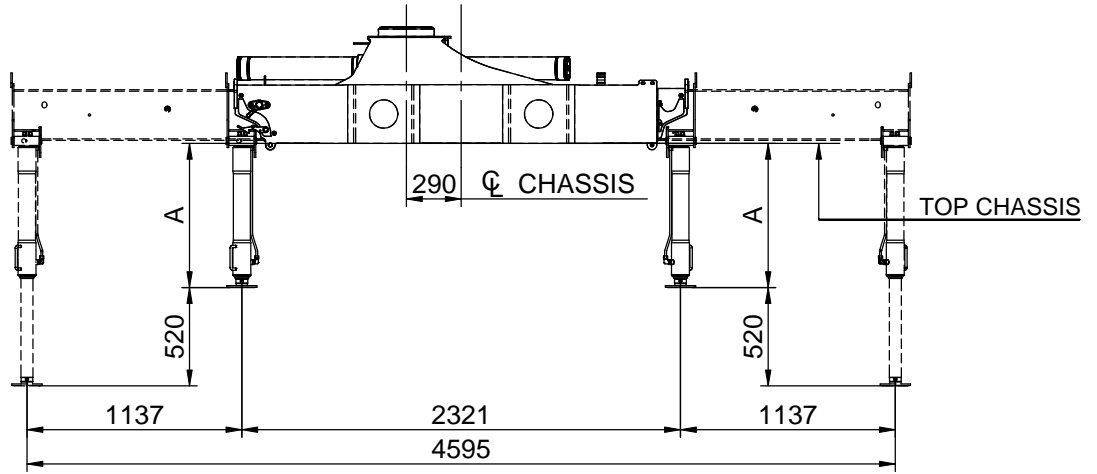


# Technical Information 1500-K/1720-K



## Dimension sketch, manual swing-up stabilizer legs

Catalogue no.	Section
31 086	51
Date	Page
21-09-2009	1 (2)



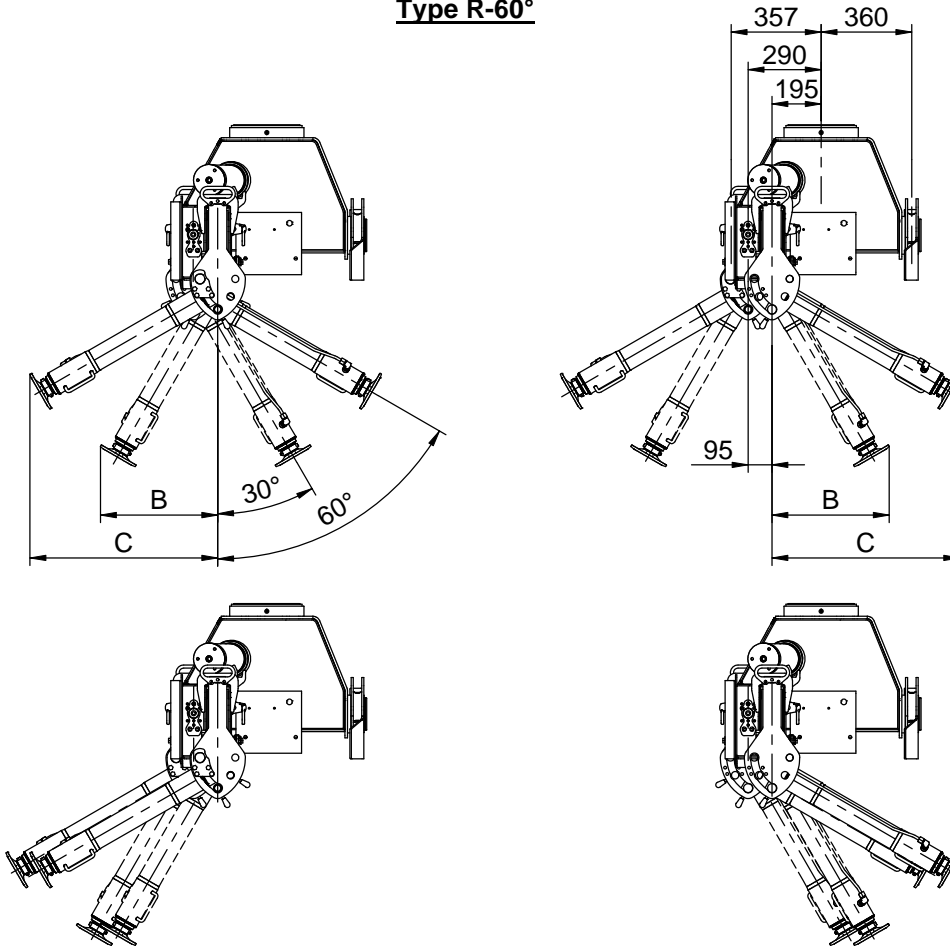
<b>A</b> Type R-60°	771	871	971
<b>A</b> Type R-20° (Obsolete)	763	863	963



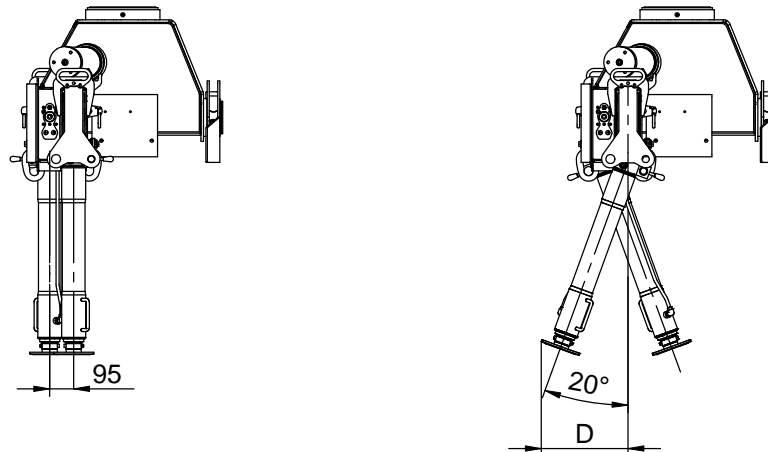
## Dimension sketch, manual swing-up stabilizer legs

Catalogue no.	31 086	Section	51
Date	21-09-2009	Page	2 (2)

**Type R-60°**



**Type R-20° (Obsolete)**



<b>B</b>	465	515	565
<b>C</b>	744	831	918
<b>D</b>	344	378	412



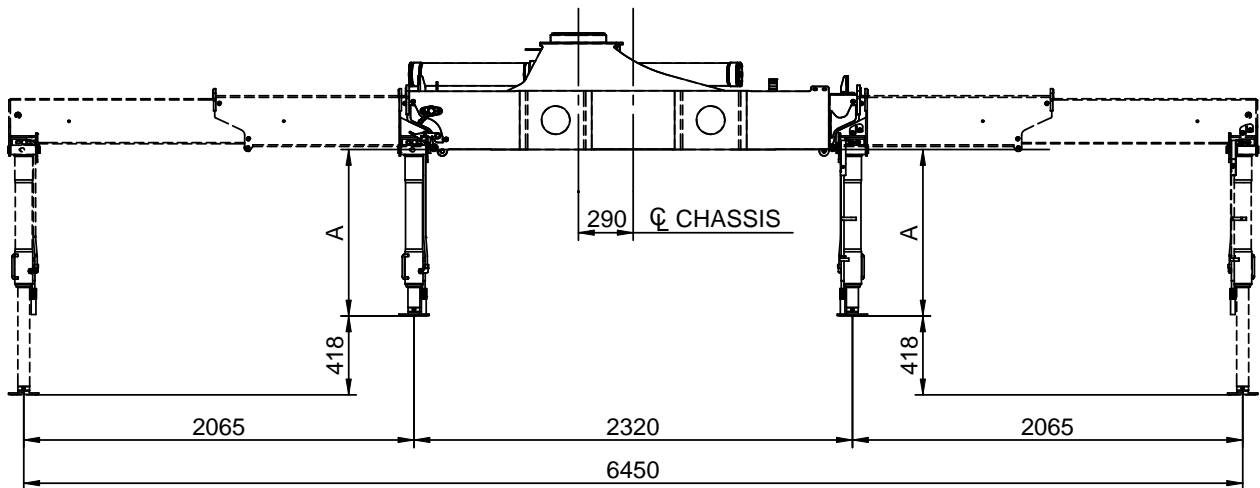
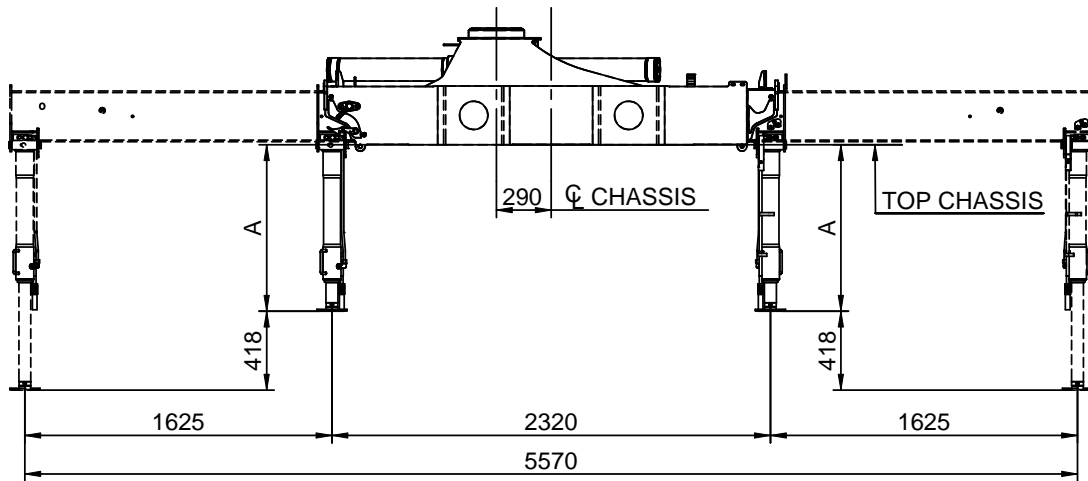
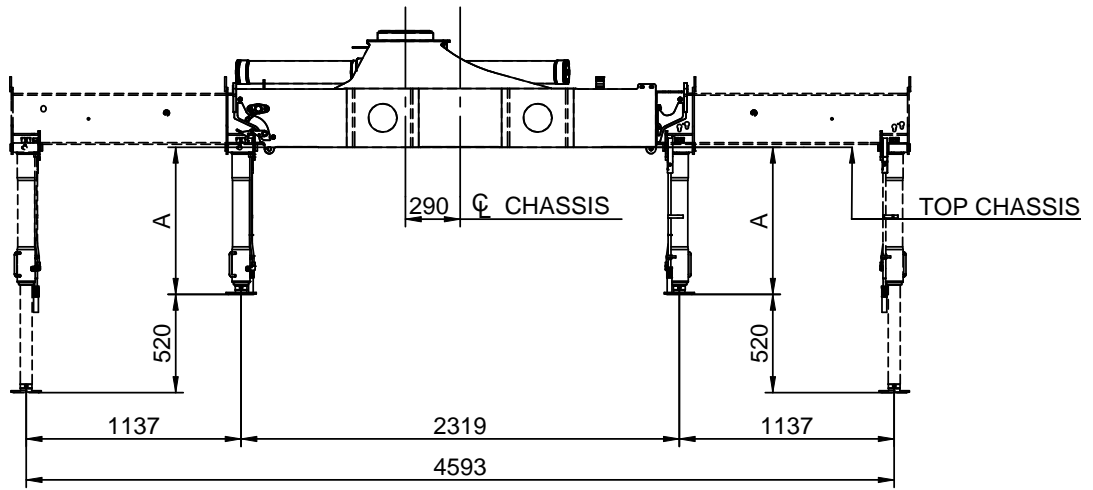


# Technical Information 1500-K/1720-K



## Dimension sketch, hydraulic swing-up stabilizer legs

Catalogue no.	Section
31 086	52
Date	Page
21-09-2009	1 (2)



A	881	981	1081

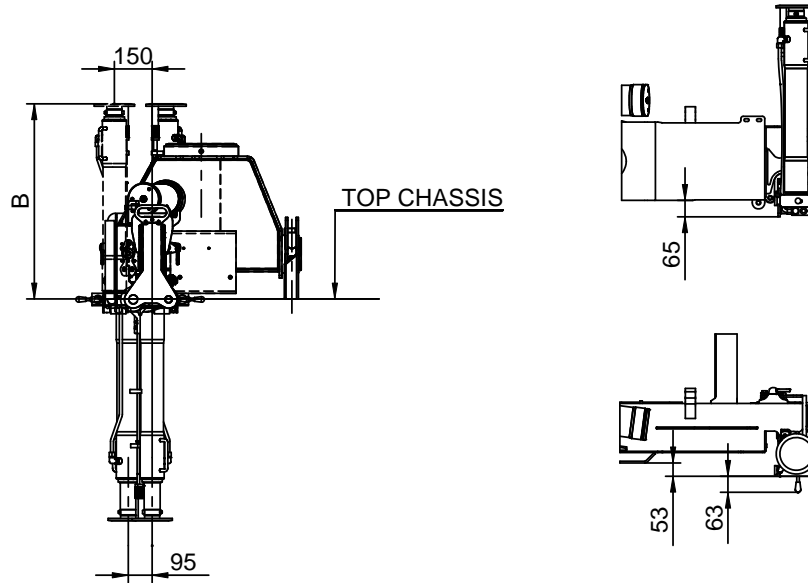


# Technical Information 1500-K/1720-K

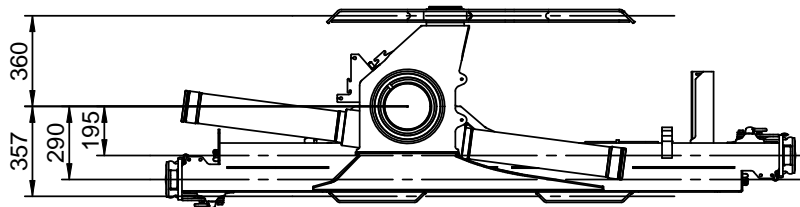


## Dimension sketch, hydraulic swing-up stabilizer legs

Catalogue no.	Section
31 086	52
Date	Page
21-09-2009	2 (2)

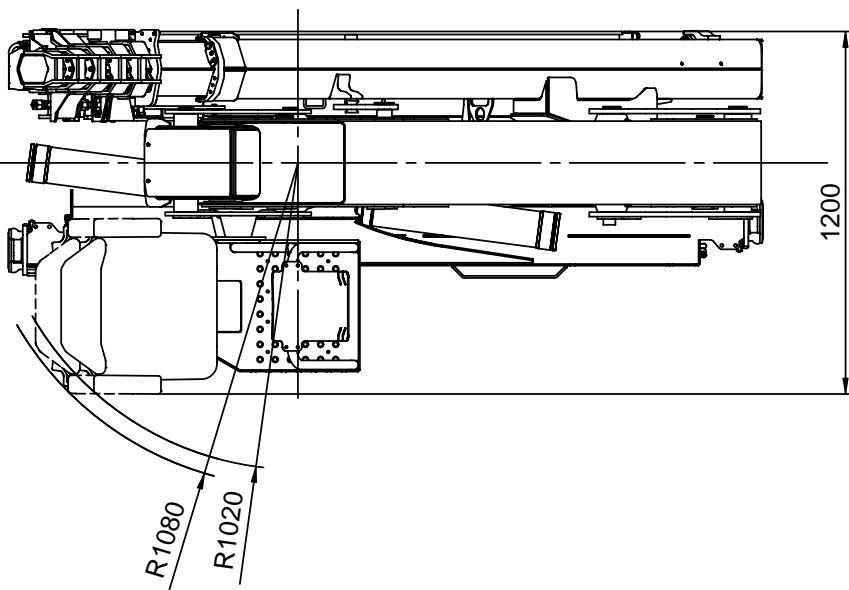
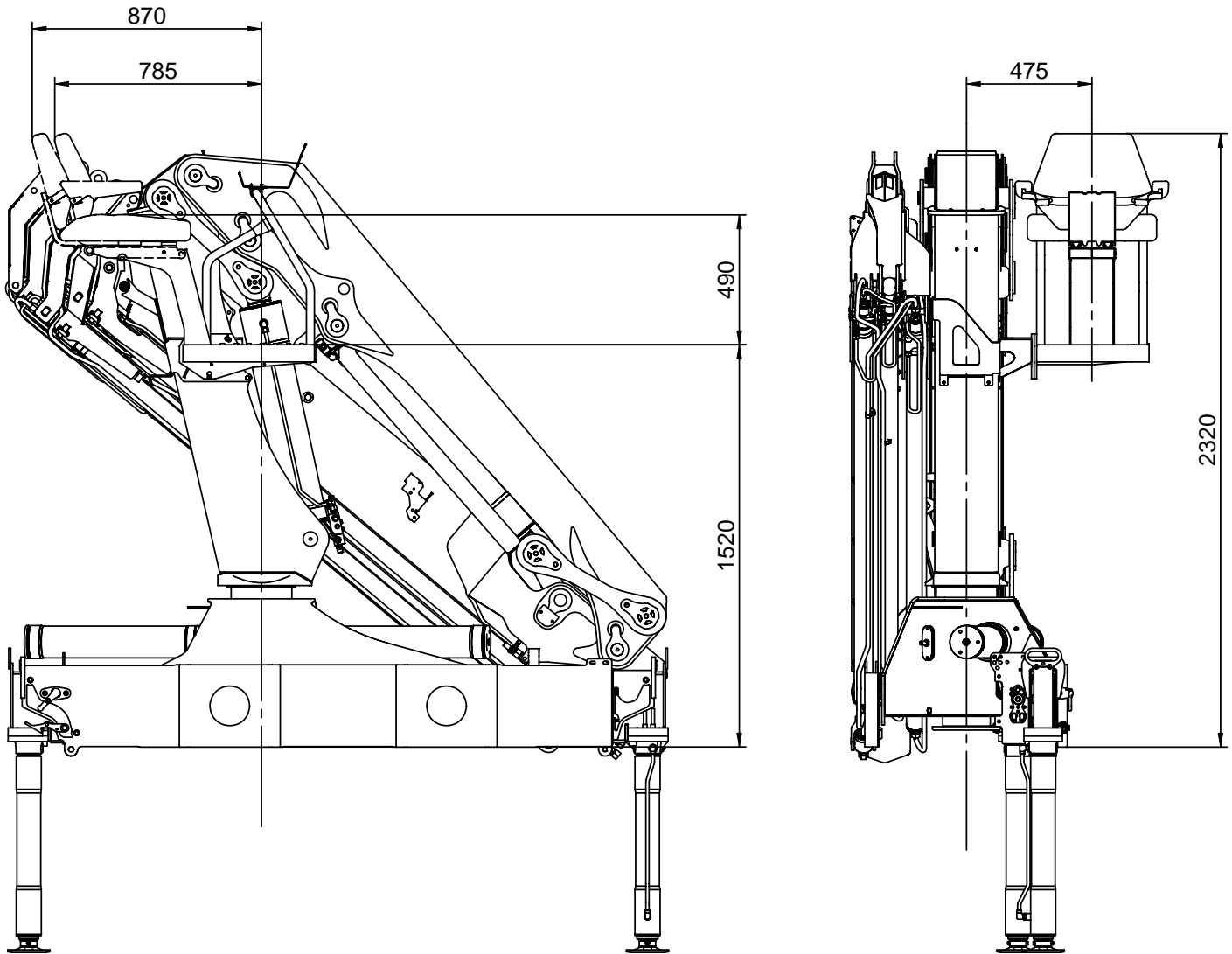


<b>B</b>	775	875	975



Dimension sketch, TS  
Top seat (RC)

Catalogue no.	Section
31 086	53
Date	Page
18-03-2009	1 (4)

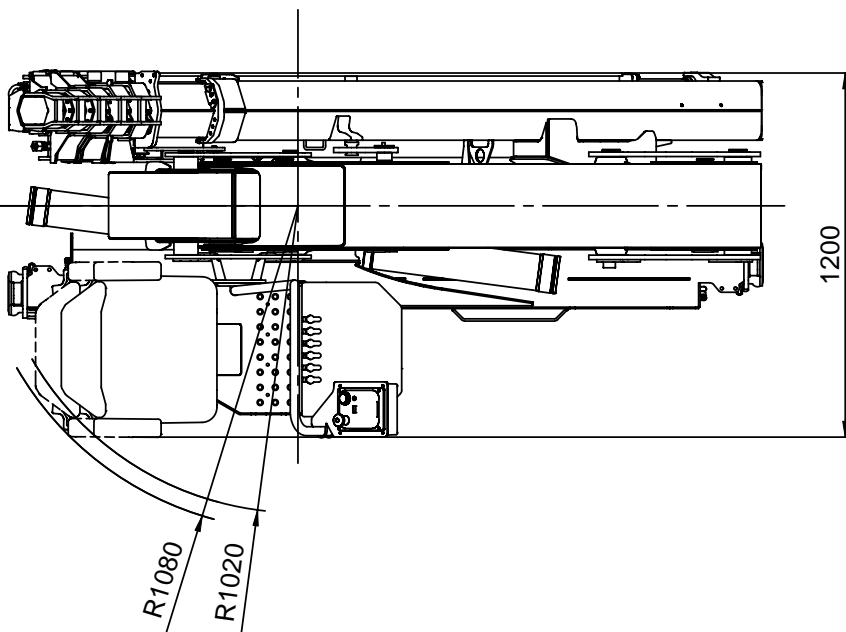
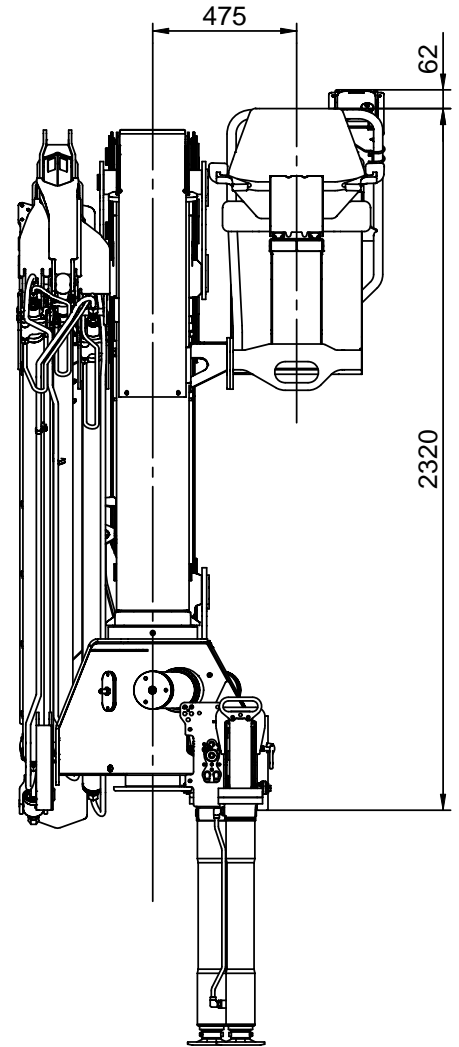
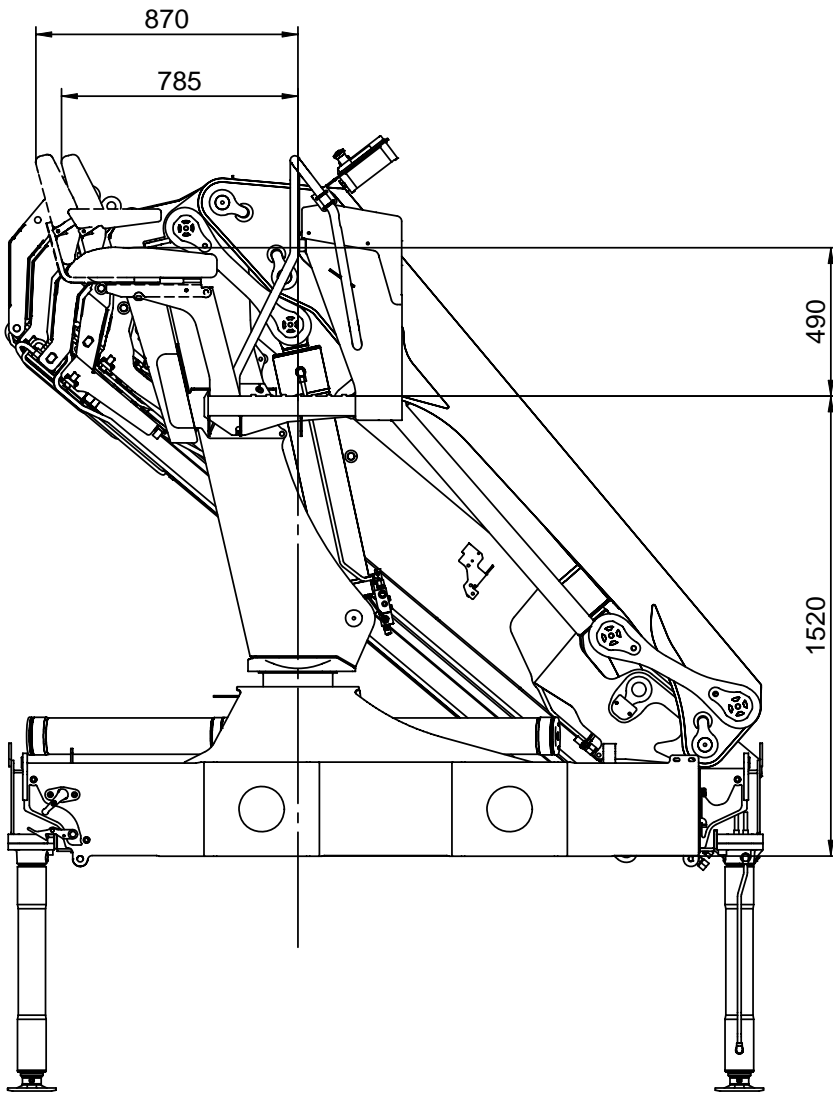


# Technical Information 1500-K/1720-K



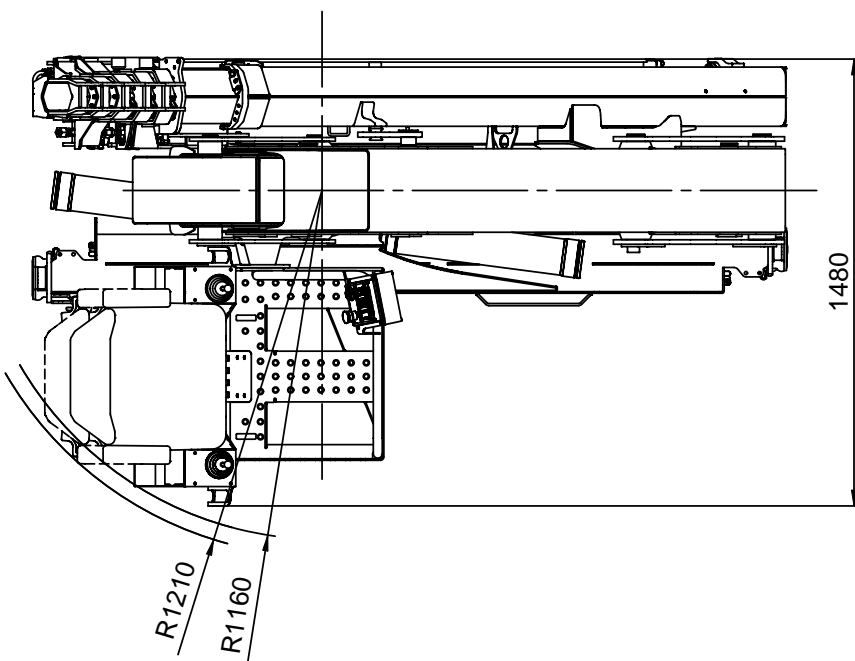
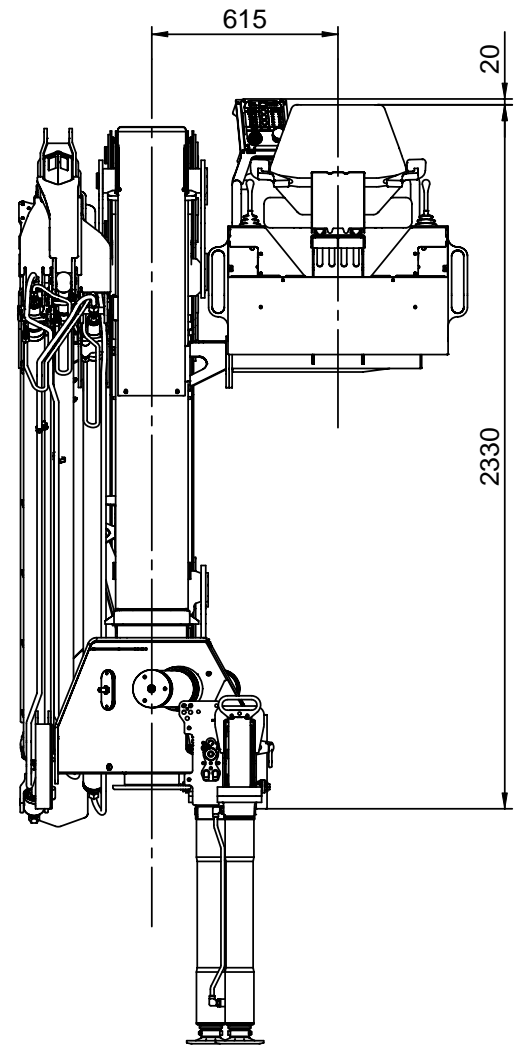
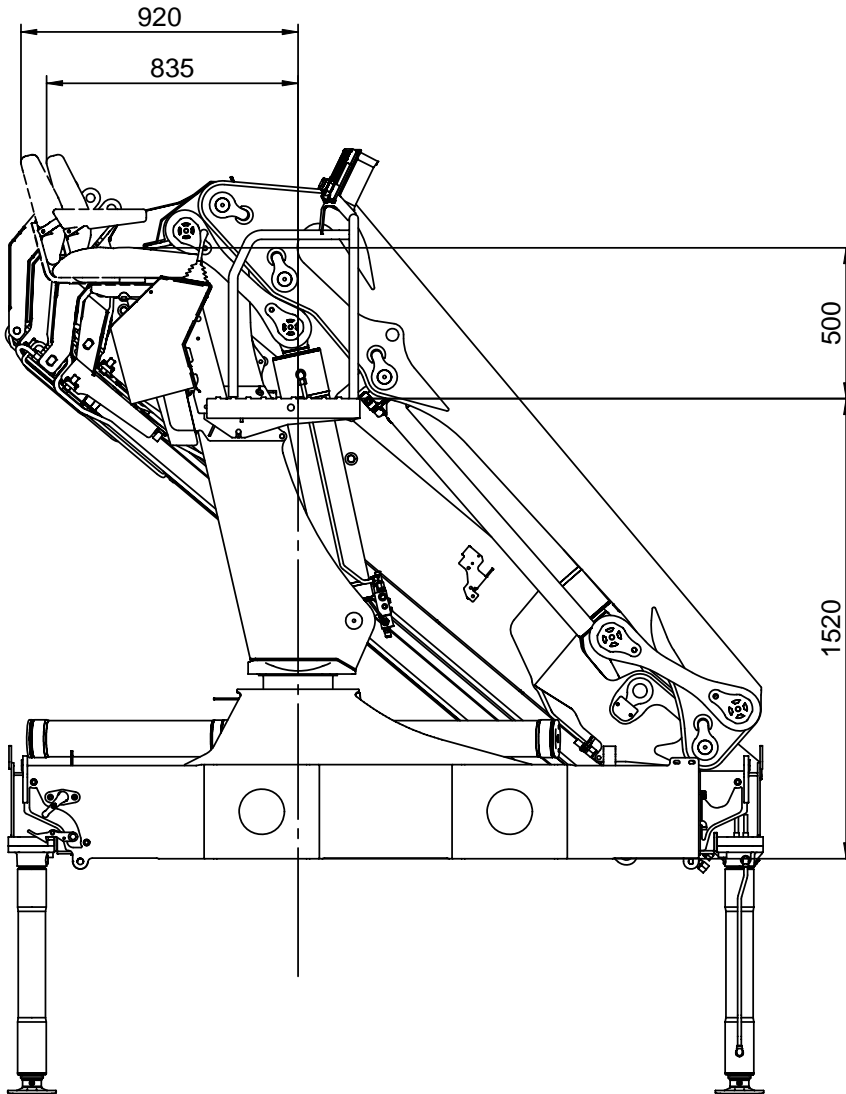
## Dimension sketch, TS Top seat (HC linear)

Catalogue no.	31 086	Section	53
Date	18-03-2009	Page	2 (4)



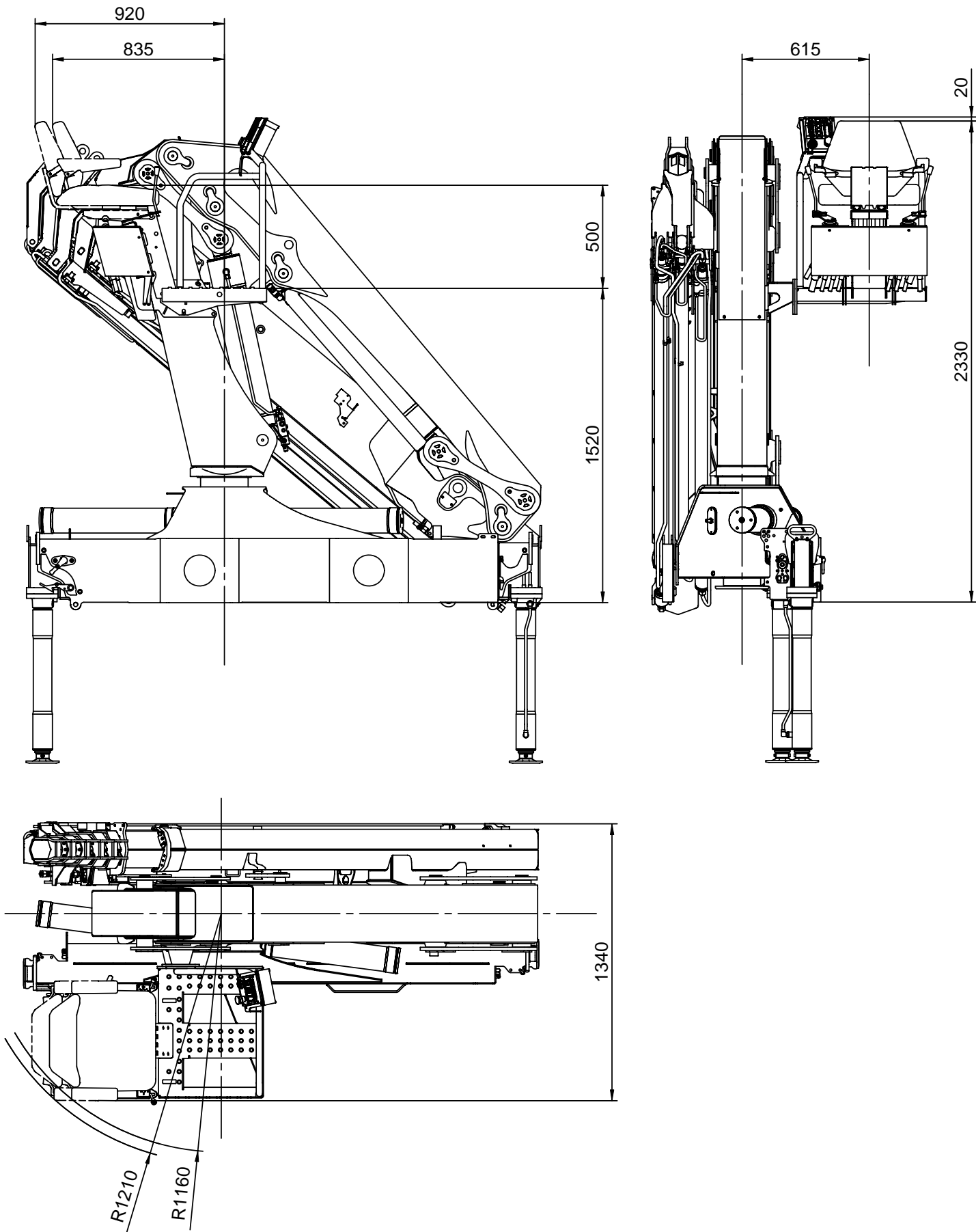
## Dimension sketch, TS Top seat (Danfoss X)

Catalogue no.	Section
31 086	53
Date	Page
18-03-2009	3 (4)



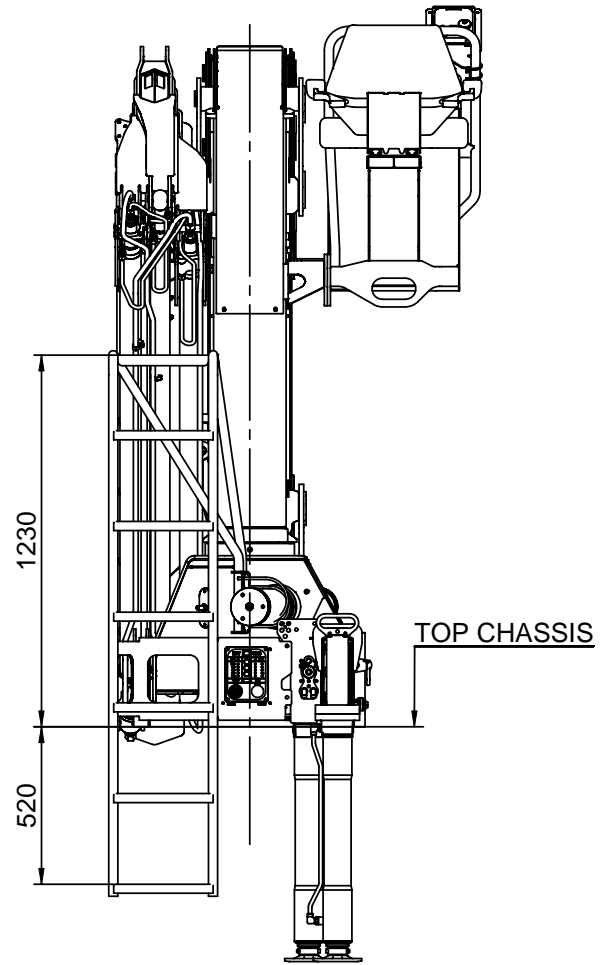
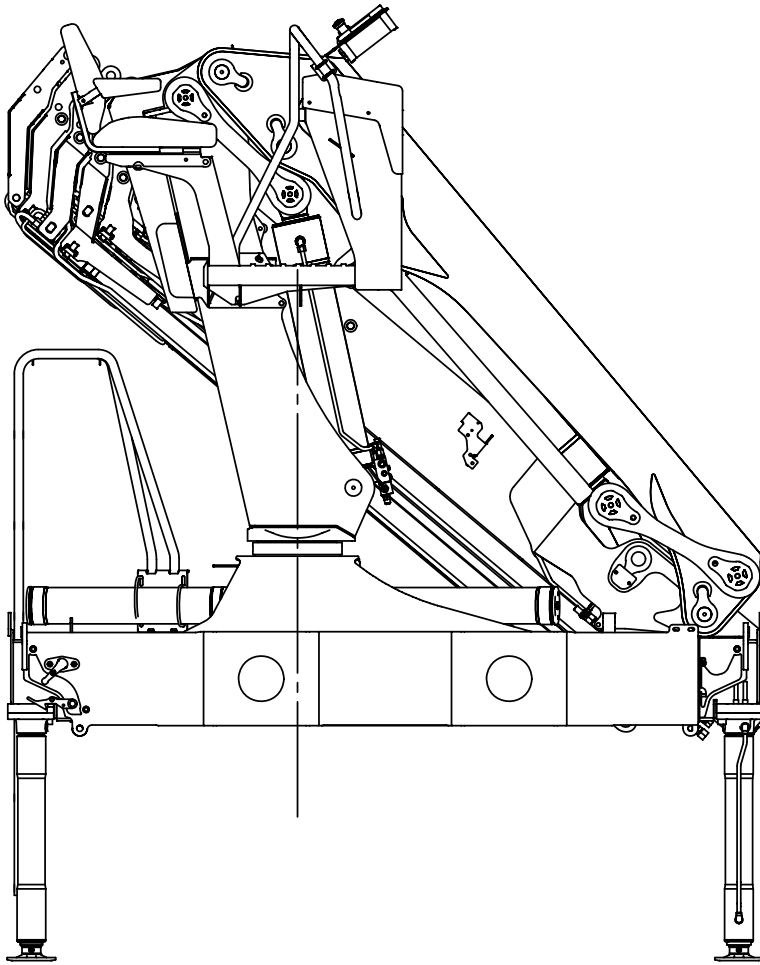
Dimension sketch, TS  
Top seat (HC X)

Catalogue no.	Section
31 086	53
Date	Page
18-03-2009	4 (4)



## Dimension sketch, ladder for TS

Catalogue no.	Section
31 086	54
Date	Page
18-03-2009	1 (1)



**Notes:**

- 1) Ladder cannot be used for TS RC
- 2) There is no access to the top seat when the loader is in stowing position



## Technical data, winch

Catalogue no.	Section
31 086	55
Date	Page
23-11-2007	1 (1)

<b>Performance (at 150 bar):</b>	<b>Unit</b>	<b>1,5T winch</b>	<b>2,5T winch</b>
Max. wire pull – 1st layer	Kg	1500	2500
Max. wire pull – 2nd layer	Kg	1370	2300
Max. wire pull – 3rd layer	Kg	1260	2100
Max. wire pull – 4th layer	Kg	1170	1950

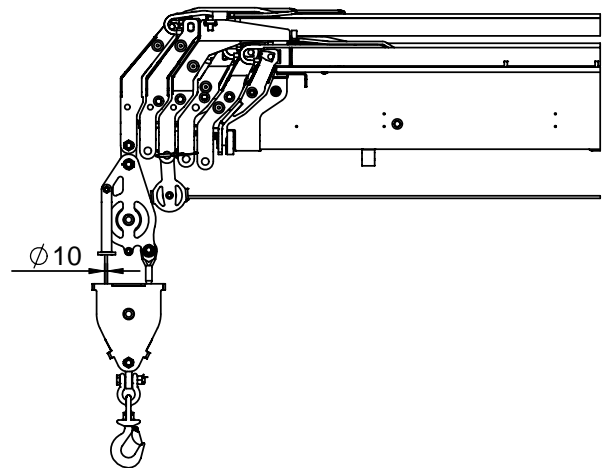
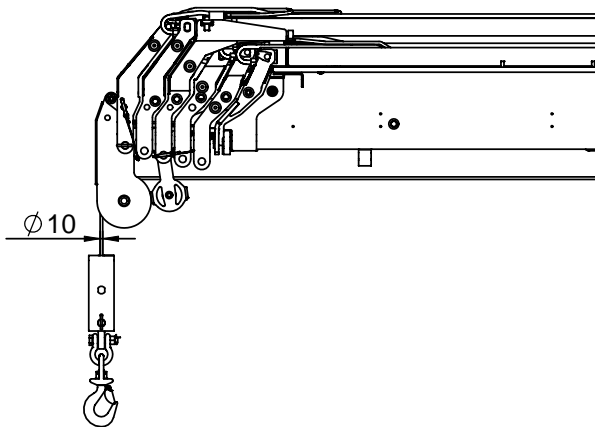
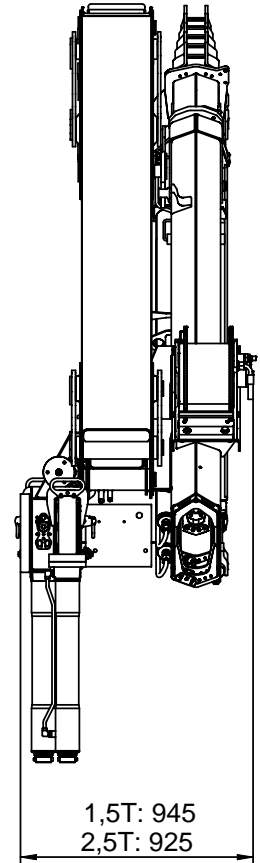
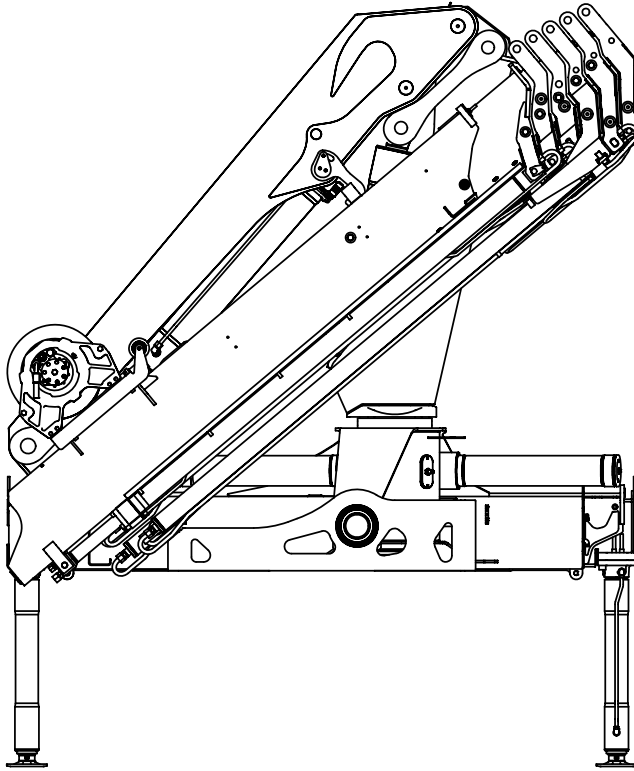
<b>Wire speed (at 40 l/min.):</b>	<b>Unit</b>	<b>1,5T winch</b>	<b>2,5T winch</b>
Max. wire speed – 1st layer	M/min	22	24
Max. wire speed – 2nd layer	M/min	24	26
Max. wire speed – 3rd layer	M/min	26	28
Max. wire speed – 4th layer	M/min	28	30

<b>Weights:</b>	<b>Unit</b>	<b>1,5T winch</b>	<b>2,5T winch</b>
Tare weight, winch (CE)	Kg	65	90
Fixed parts (valve section, brackets, hoses etc.)	Kg	50	50
Wire Ø10 x 50 m	Kg	30	30
Spare parts, single snatch block	Kg	30	30
Spare parts, double snatch block	Kg	40	40



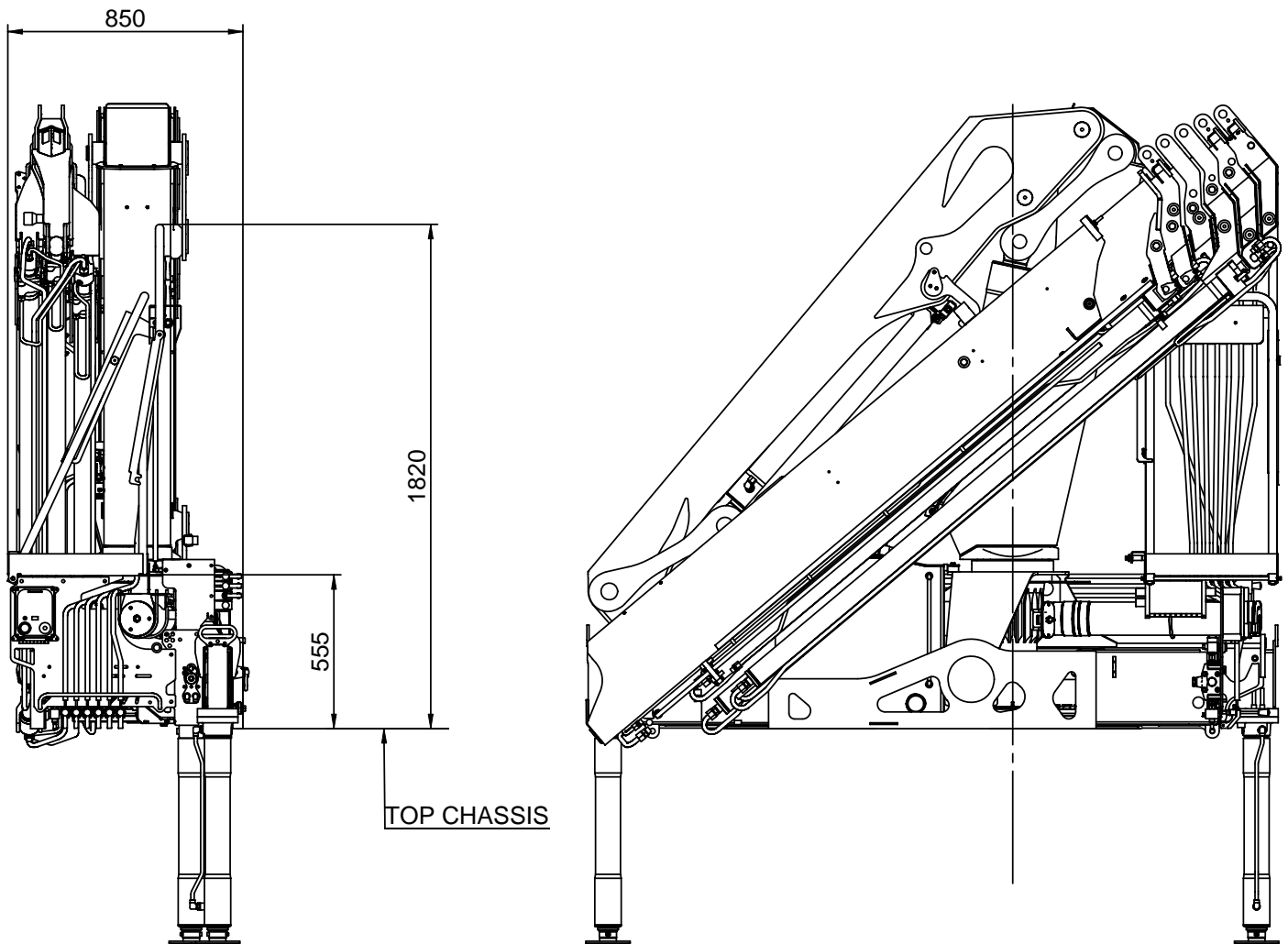
## Dimension sketch, winch

Catalogue no.	Section
31 086	56
Date	Page
18-03-2009	1 (1)



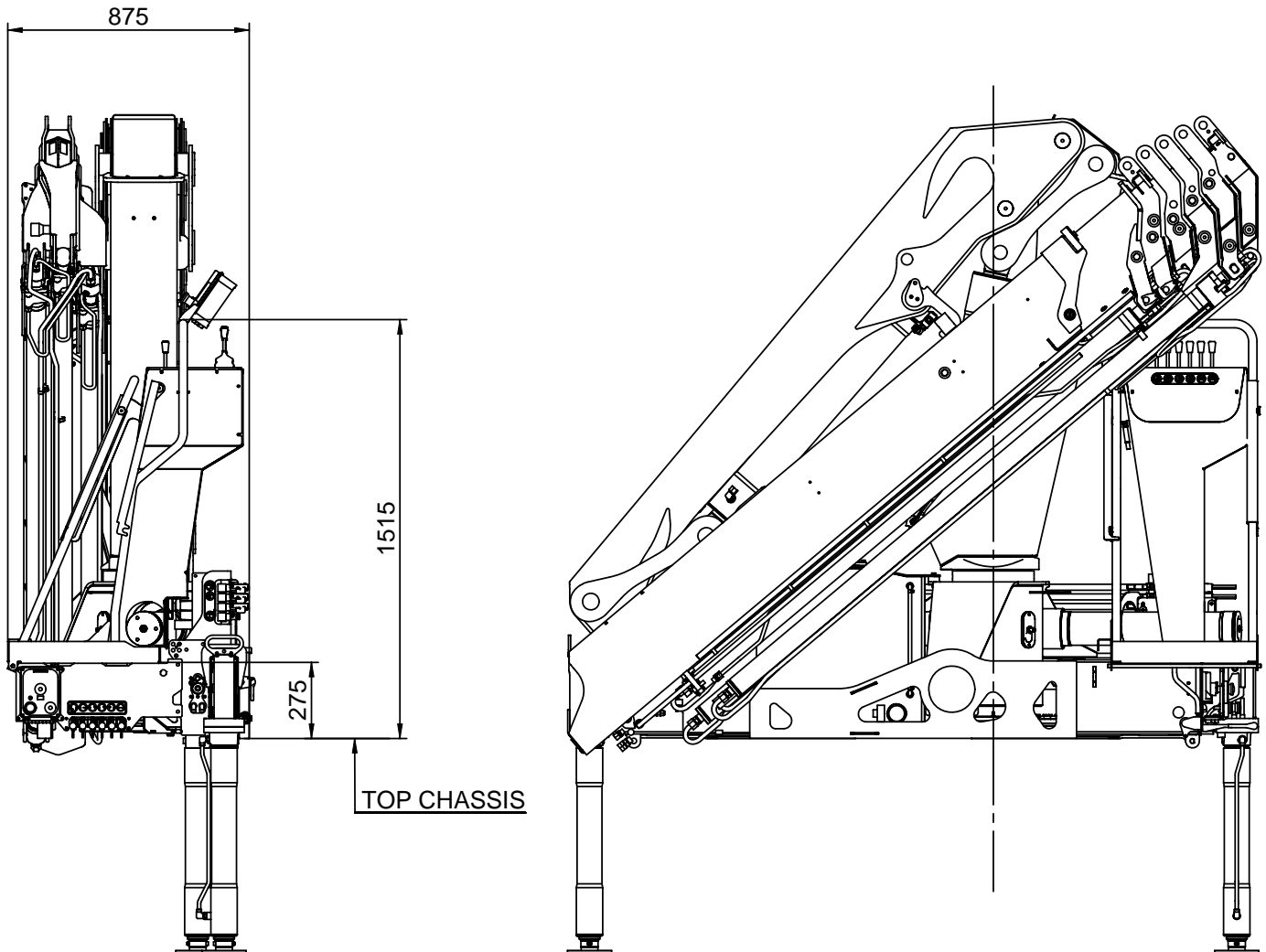
## Dimension sketch, stand-up platform (std.)

Catalogue no.	Section
31 086	57
Date	Page
01-09-2007	1 (1)



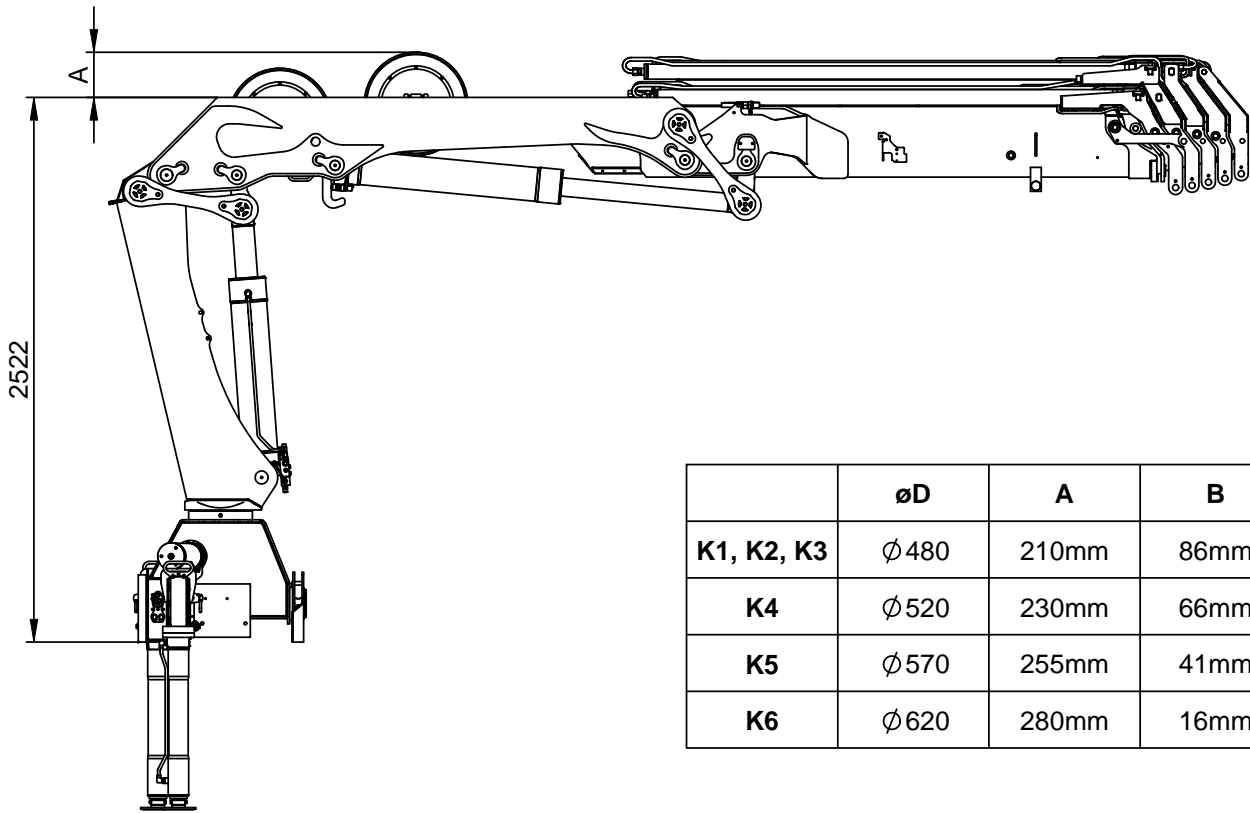
## Dimension sketch, stand-up platform (valve control)

Catalogue no.	Section
31 086	58
Date	Page
01-09-2007	1 (1)

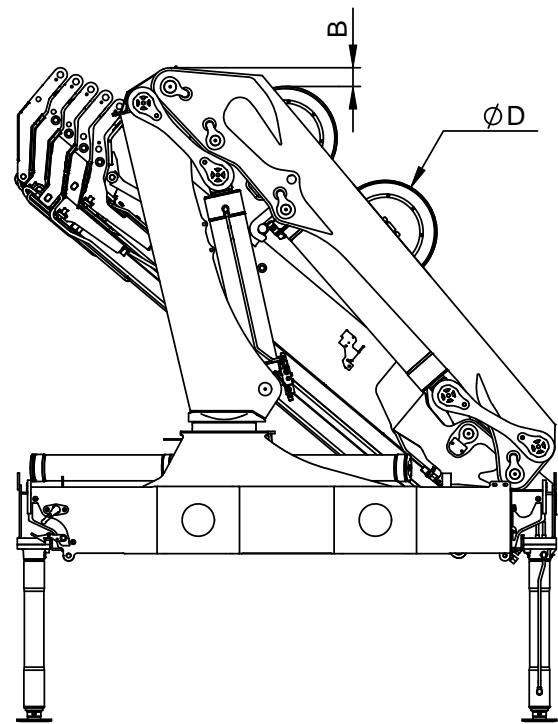
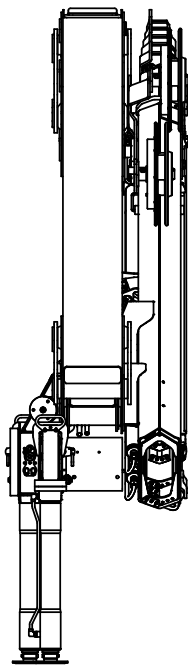


## Dimension sketch, internal hose routing

Catalogue no.	Section
31 086	59
Date	Page
05-11-2010	1 (1)



	$\varnothing D$	A	B
K1, K2, K3	$\varnothing 480$	210mm	86mm
K4	$\varnothing 520$	230mm	66mm
K5	$\varnothing 570$	255mm	41mm
K6	$\varnothing 620$	280mm	16mm

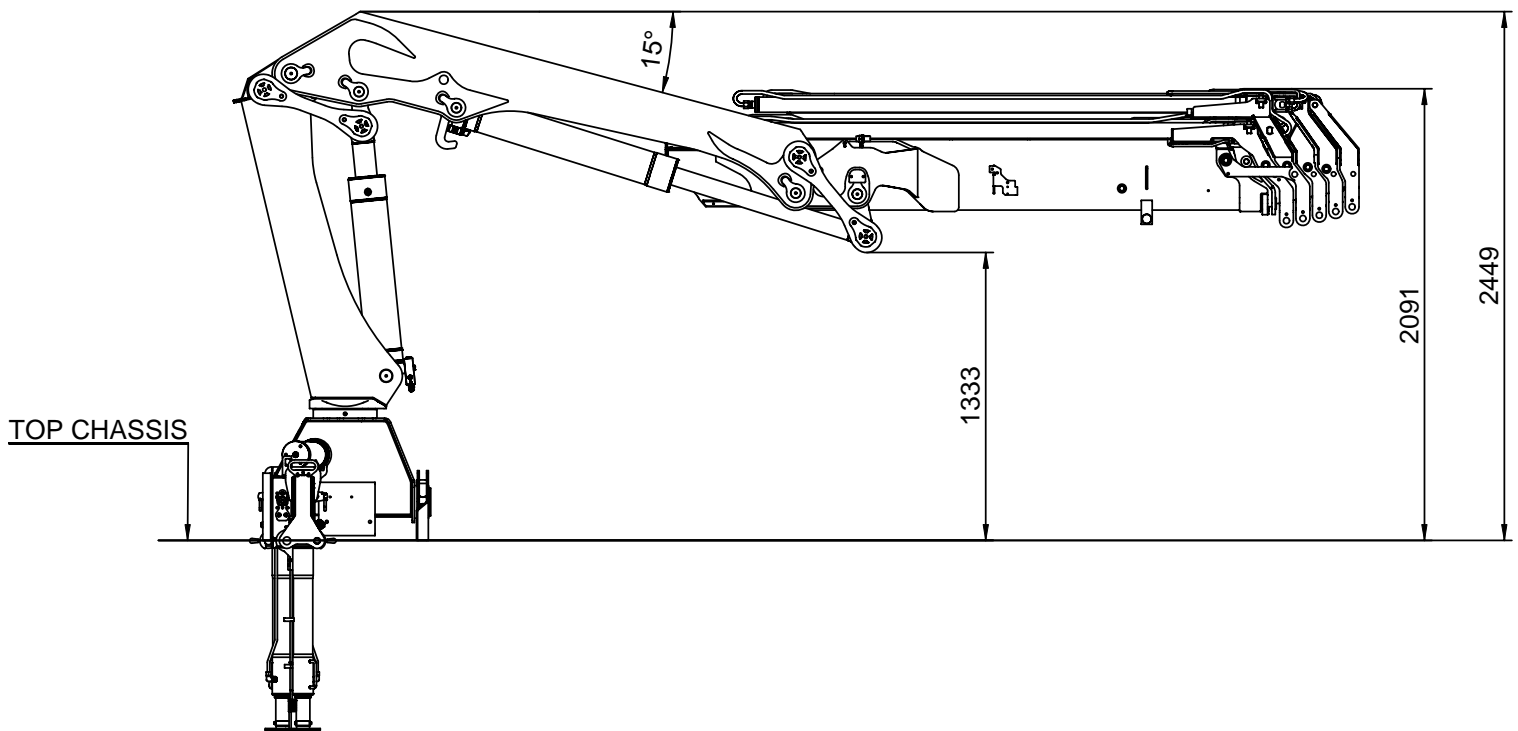
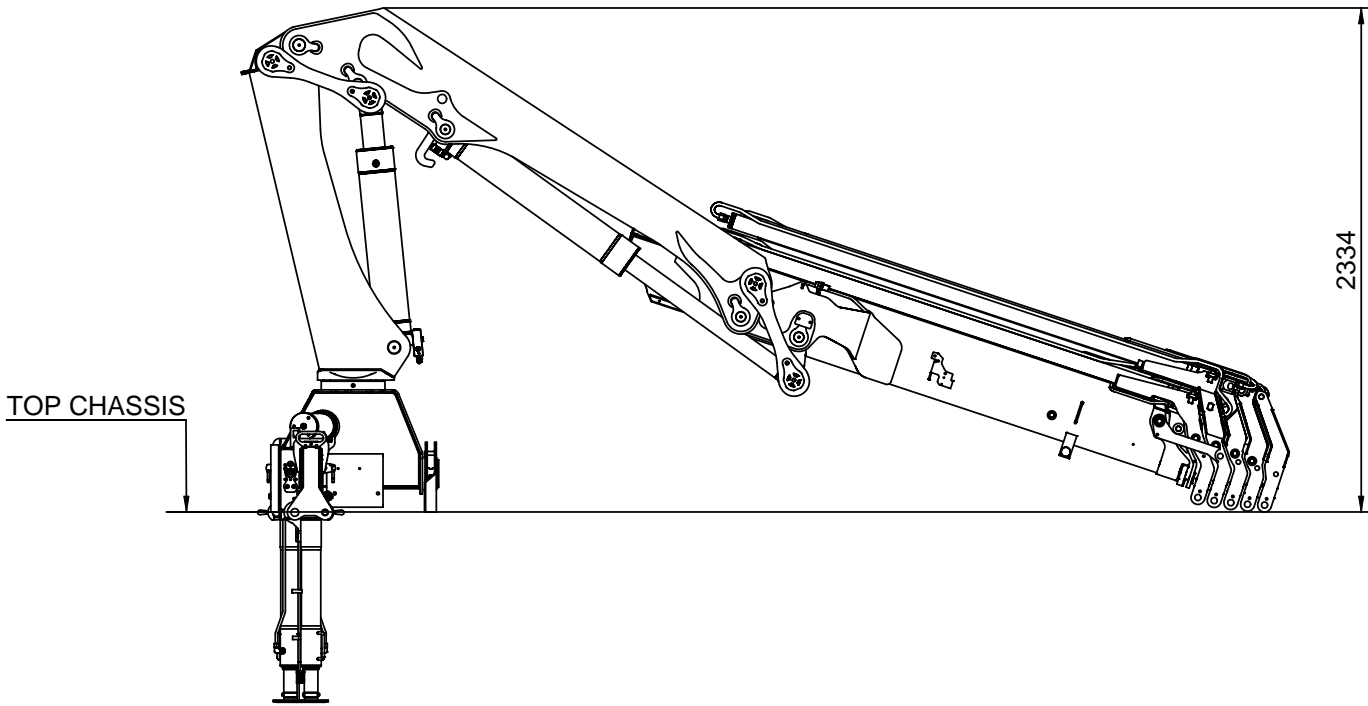


# Technical Information 1500-K/1720-K



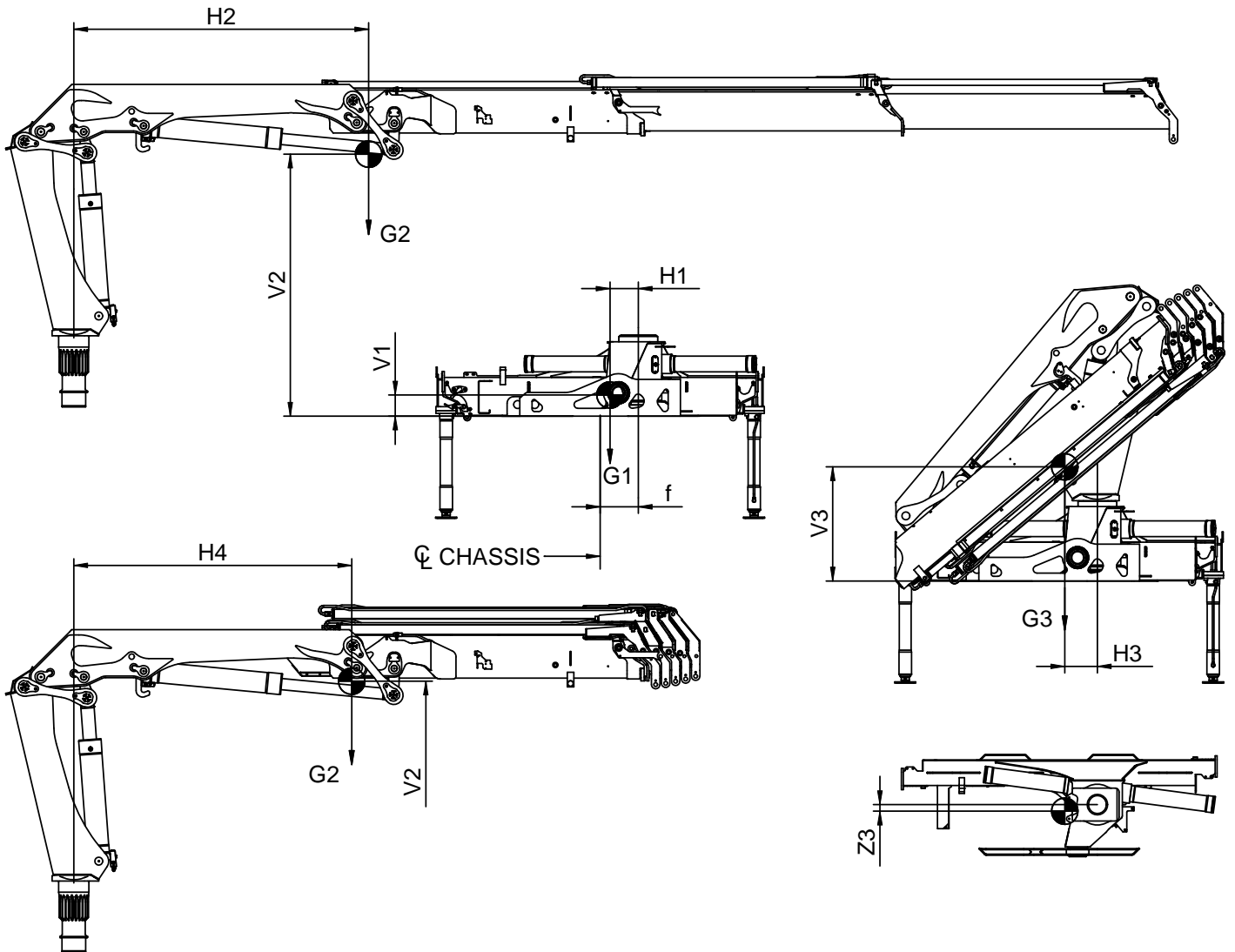
## Stowed in truck body

Catalogue no.	Section
31 086	65
Date	Page
05-07-2007	1 (1)



## Centres of gravity

Catalogue no.	Section
31 086	75
Date	Page
05-11-2010	1 (1)



### 1500-K / 1720-K:

	[mm]									[kg]		
	V1	V2	V3	H1	H2	H3	H4	Z3	f	G1	G2	G3
1500-K1	165	1935	785	215	1560	330	1315	5	290	650	955	1605
1500-K2	165	1995	800	215	2245	325	1560	10	290	650	1100	1750
1500-K3	165	2040	820	215	2980	315	1750	25	290	650	1240	1890
1500-K4	165	2070	835	215	3755	305	1900	40	290	650	1370	2020
1500-K5	165	2095	850	215	4495	300	2020	55	290	650	1480	2130
1500-K6	165	2115	860	215	5130	280	2105	60	290	650	1585	2235

### 1720-K + Fly-jib

	[mm]									[kg]		
	V1	V2	V3	H1	H2	H3	H4	Z3	f	G1	G2	G3
1720-K3 + FJ600-K3	165	2115	1060	215	5875	290	3060	120	290	650	1710	2360
1720-K3 + FJ600-K4	165	2120	1075	215	6340	295	3195	125	290	650	1770	2420
1720-K4 + FJ350-K3	165	2120	1030	215	6460	280	2930	120	290	650	1765	2415
1720-K4 + FJ350-K4	165	2130	1045	215	6920	285	3060	125	290	650	1820	2470
1720-K5 + FJ350-K3	165	2135	1040	215	7340	270	2950	135	290	650	1875	2525
1720-K5 + FJ350-K4	165	2140	1050	215	7805	275	3065	135	290	650	1930	2580

# Technical Information, 1720-K



## Technical Data

Catalogue no.	Section
31 086	210
Date	Page
24-08-2009	1(2)

Performance		1720-K1	1720-K2	1720-K3	1720-K4	1720-K5	1720-K6
Loading group (EN12999)		H1/B3	H1/B3	H1/B3	H1/B3	H1/B3	H1/B3
Load moment	tm	16	15,6	15,1	14,7	14,4	14
Hydraulic reach	m	6,2	8,3	10,4	12,7	14,9	17,2
Hydraulic telescopic movement	mm	1930	3940	6040	8230	10390	12580
Lifting capacity, hydraulic	kg-m	3740 - 4,3 2590 - 6,2	3610 - 4,3 2450 - 6,3 1850 - 8,3	3440 - 4,4 2310 - 6,3 1720 - 8,3 1360 - 10,4	3290 - 4,5 2180 - 6,4 1590 - 8,4 1230 - 10,5 1000 - 12,7	3160 - 4,6 2070 - 6,5 1480 - 8,5 1120 - 10,6 900 - 12,8 760 - 14,9	3030 - 4,6 1960 - 6,6 1380 - 8,6 1030 - 10,7 800 - 12,9 660 - 15,0 570 - 17,2
Lifting capacity, manual extensions	kg-m		1400 - 10,4 1090 - 12,6 850 - 15,0	1050 - 12,7 830 - 15,0 660 - 17,3	790 - 15,0 620 - 17,4 450 - 19,7	610 - 17,2 450 - 19,6	450 - 19,6
Slewing torque, gross	kNm	17,6	17,6	17,6	17,6	17,6	17,6
Slewing angle	°	400	400	400	400	400	400
Max. heel at max. load moment	°	5	5	5	5	5	5
Slewing speed	°/s	24	24	24	24	24	24

## Dimensions

Height above chassis	mm	2250	2250	2250	2250	2250	2250
Width	mm	2500	2500	2500	2500	2500	2500
Length, no extra valves	mm	825	825	825	825	825	825
Length, with extra valves (hose guides)	mm	950	950	950	950	950	950
Length, with extra valves (int. hose routing)	mm	825	825	825	825	825	825
Stabilizer spread, S1 (standard)	mm	4615	4615	4615	4615	4615	4615
Stabilizer spread, S2	mm	5590	5590	5590	5590	5590	5590
Stabilizer spread, D	mm	6470	6470	6470	6470	6470	6470

## Weights, basic loader

Standard loader 1), excl. stabilizers	kg	1420	1560	1700	1835	1955	2050
Stabilizers, S1 fixed	kg	200	200	200	200	200	200
Stabilizers, S1 swing-up	kg	205	205	205	205	205	205
Stabilizers, S1 hydr. swing-up	kg	215	215	215	215	215	215
Stabilizers, S2 fixed	kg	235	235	235	235	235	235
Stabilizers, S2 swing-up	kg	240	240	240	240	240	240
Stabilizers, S2 hydr. swing-up	kg	250	250	250	250	250	250
Stabilizers, D fixed	kg	300	300	300	300	300	300
Stabilizers, D swing-up	kg	300	300	300	300	300	300
Stabilizers, D hydr. swing-up	kg	315	315	315	315	315	315
Mounting kit, 4 bolts	kg	55	55	55	55	55	55
Mounting kit, 8 bolts	kg	60	60	60	60	60	60
Tank, excl. oil (fitted on loader)	kg	45	45	45	45	45	45
Manual extensions	kg		85	75	65	45	40
	kg		75	65	45	40	
	kg		65	45	40		
Oil in loader (stowing position)	kg	30	35	40	45	50	50

1) Weights ± 5% because of tolerances for plate thickness



# Technical Information, 1720-K



## Technical Data

Catalogue no.	Section
31 086	210
Date	Page
24-08-2009	2(2)

### Weights, equipment

		1720-K1	1720-K2	1720-K3	1720-K4	1720-K5	1720-K6
Stand-up controls (HS), std.	kg	60	60	60	60	60	60
Stand-up controls (HS), direct valve control	kg	70	70	70	70	70	70
Top seat (TS)	kg	90	90	90	90	90	90
Top seat, ladder	kg	20	20	20	20	20	20
1 extra valve, hose guides	kg	40	55	65	75	85	95
1 extra valve, int. hose routing	kg	75	75	75	80	80	85
2 extra valves, hose guides	kg	60	75	90	105	120	135
2 extra valves, int. hose routing	kg	130	130	130	140	145	150
Winch (1.5 t), single snatch block	kg	175	175	175	175	175	180
Winch (1.5 t), double snatch block	kg	170	170	170	170	170	175
Winch (2.5 t), single snatch block	kg	200	200	200	200	200	205
Winch (2.5 t), double snatch block	kg	195	195	195	195	195	200
High-pressure filter	kg	7	7	7	7	7	7
Oil cooler	kg	25	25	25	25	25	25

### Max. load on stabilizers (per stabilizer cylinder)

S1, fixed	kN	85	85	85	85	85	85
S1, swing-up	kN	85	85	85	85	85	85
S1, hydr. swing-up	kN	85	85	85	85	85	85
S2, fixed	kN	85	85	85	85	85	85
S2, swing-up	kN	85	85	85	85	85	85
S2, hydr. swing-up	kN	85	85	85	85	85	85
D, fixed	kN	68	68	68	68	68	68
D, swing-up	kN	68	68	68	68	68	68
D, hydr. swing-up	kN	68	68	68	68	68	68

### Power consumption / oil capacity

Working pressure	Bar	330	330	330	330	330	330
Tank capacity (fitted on loader)	L	90	90	90	90	90	90
Max. pump performance, Hydrocontrol, 1-circuit	L/min	50	50	50	50	50	50
Max. pump performance, Hydrocontrol, 2-circuit	L/min						
Max. pump performance, Danfoss fixed flow	L/min	70	70	70	70	70	70
Max. pump performance, Danfoss variable	L/min	100	100	100	100	100	100

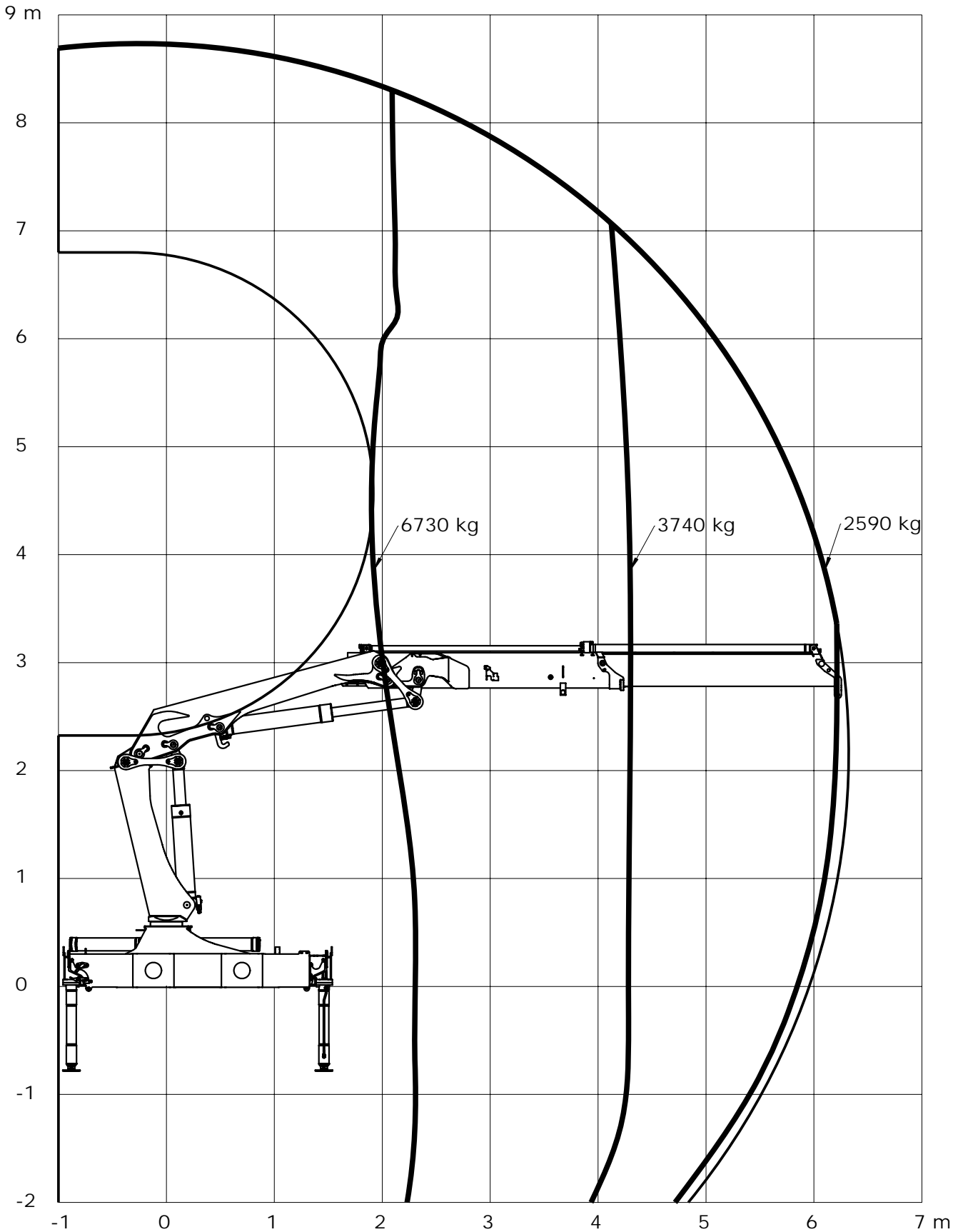


# Technical Information 1720-K



## Lifting capacity diagram, K1

Catalogue no.	Section
31 086	221
Date	Page
05-07-2007	1 (1)



Loading group: EN12999 H1/B3

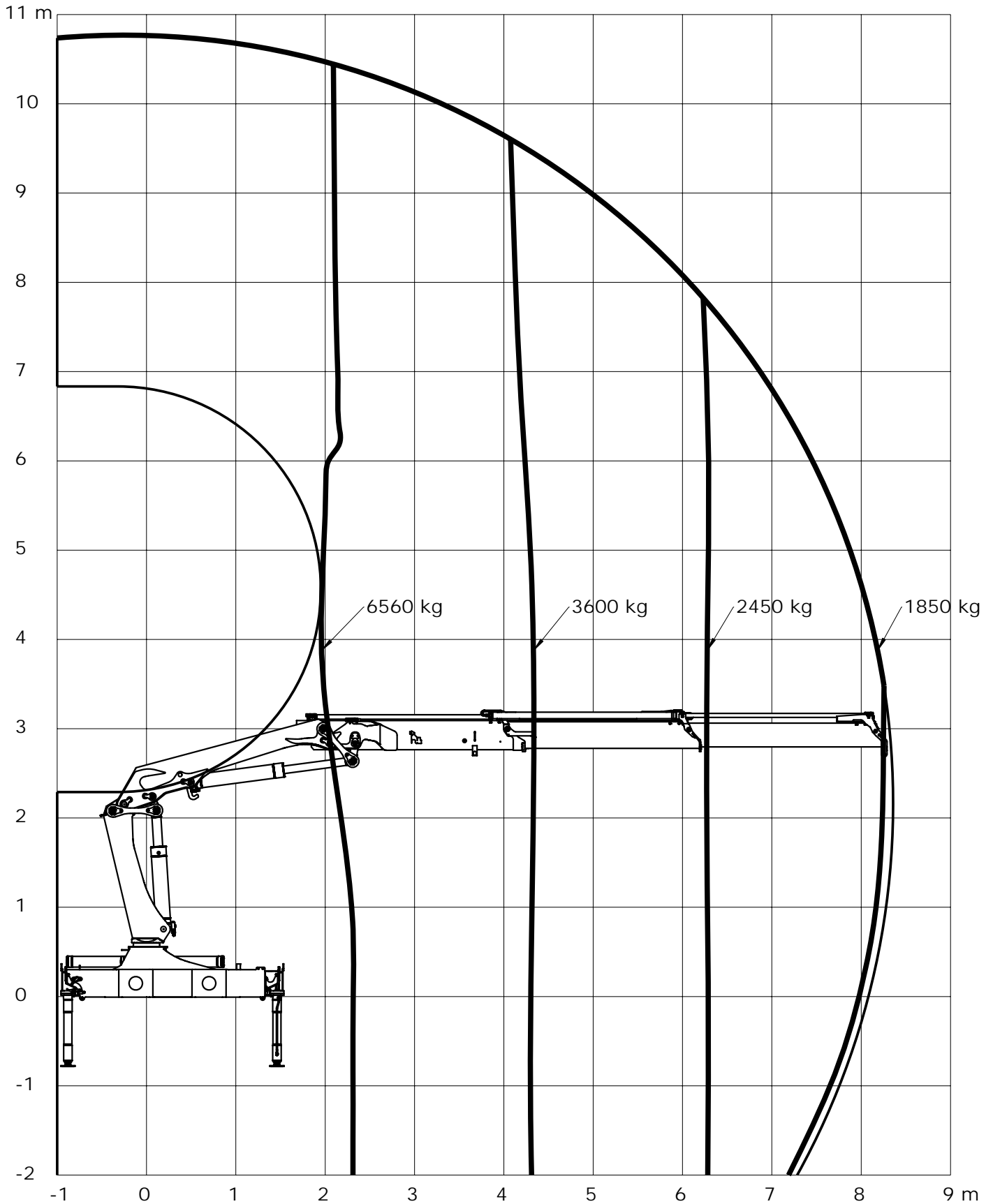


# Technical Information 1720-K



## Lifting capacity diagram, K2

Catalogue no.	Section
31 086	222
Date	Page
05-07-2007	1 (1)

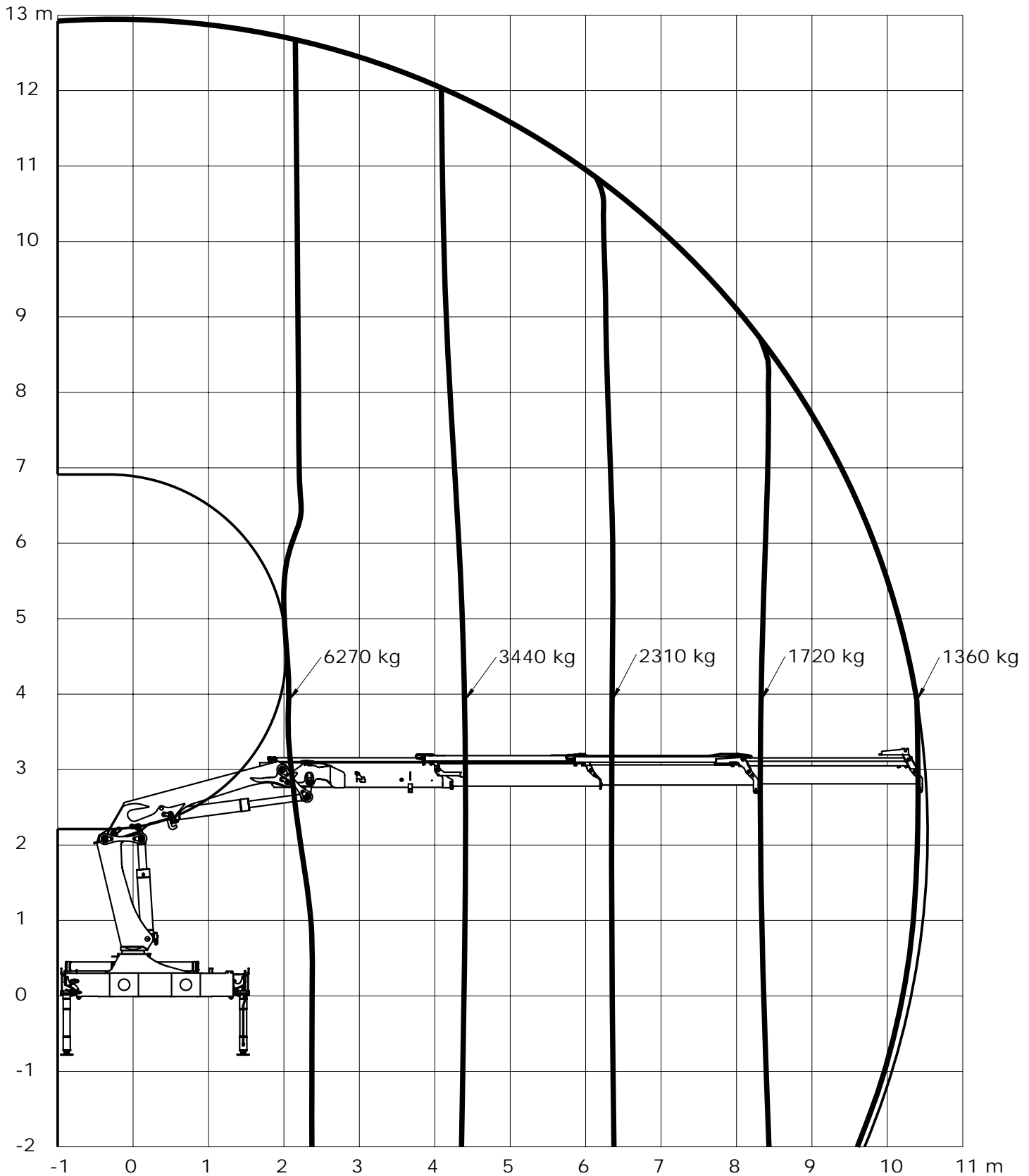


Loading group: EN12999 H1/B3



## Lifting capacity diagram, K3

Catalogue no.	Section
31 086	223
Date	Page
05-07-2007	1 (1)



Loading group: EN12999 H1/B3

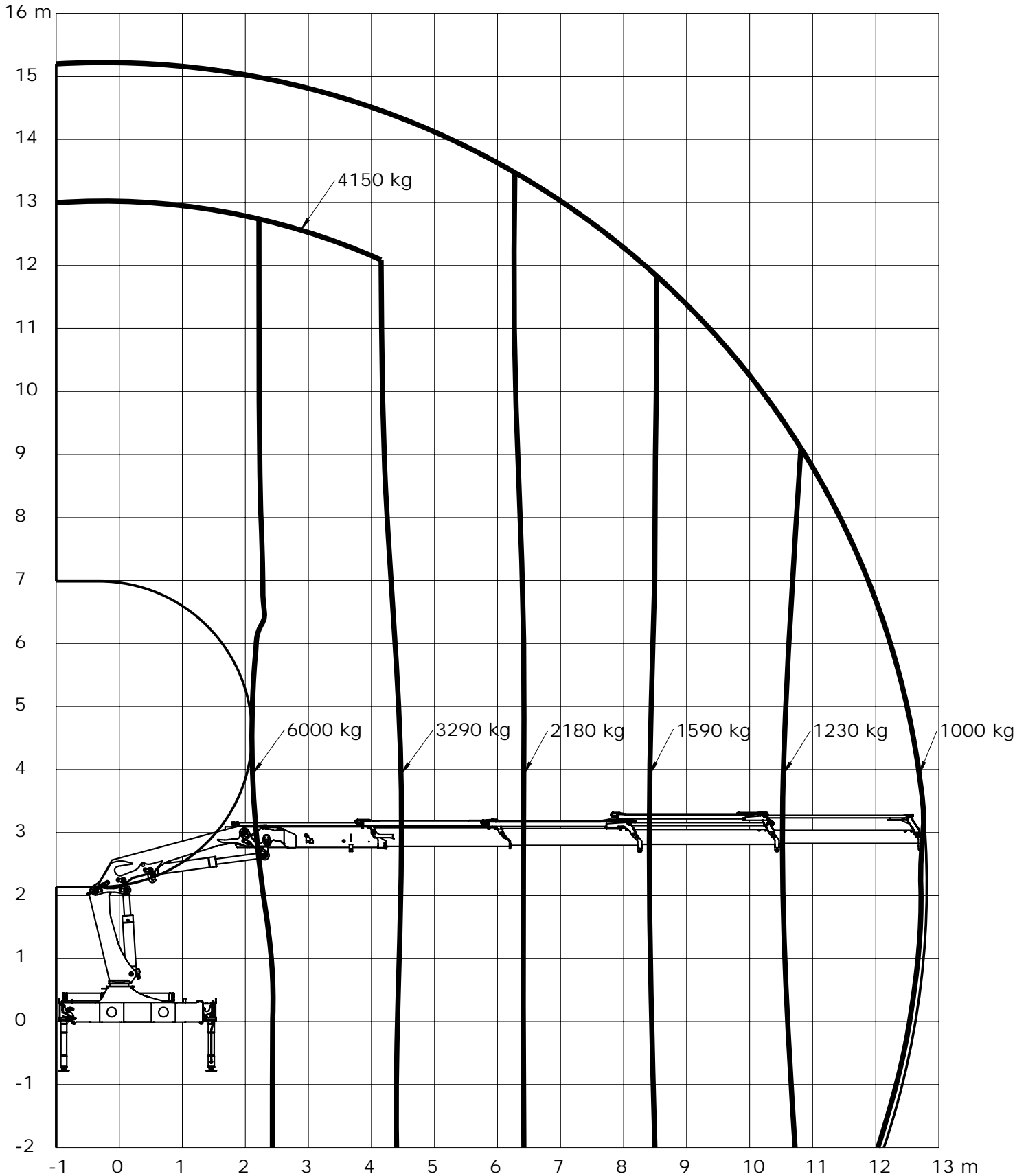


# Technical Information 1720-K



## Lifting capacity diagram, K4

Catalogue no.	Section
31 086	224
Date	Page
05-07-2007	1 (1)

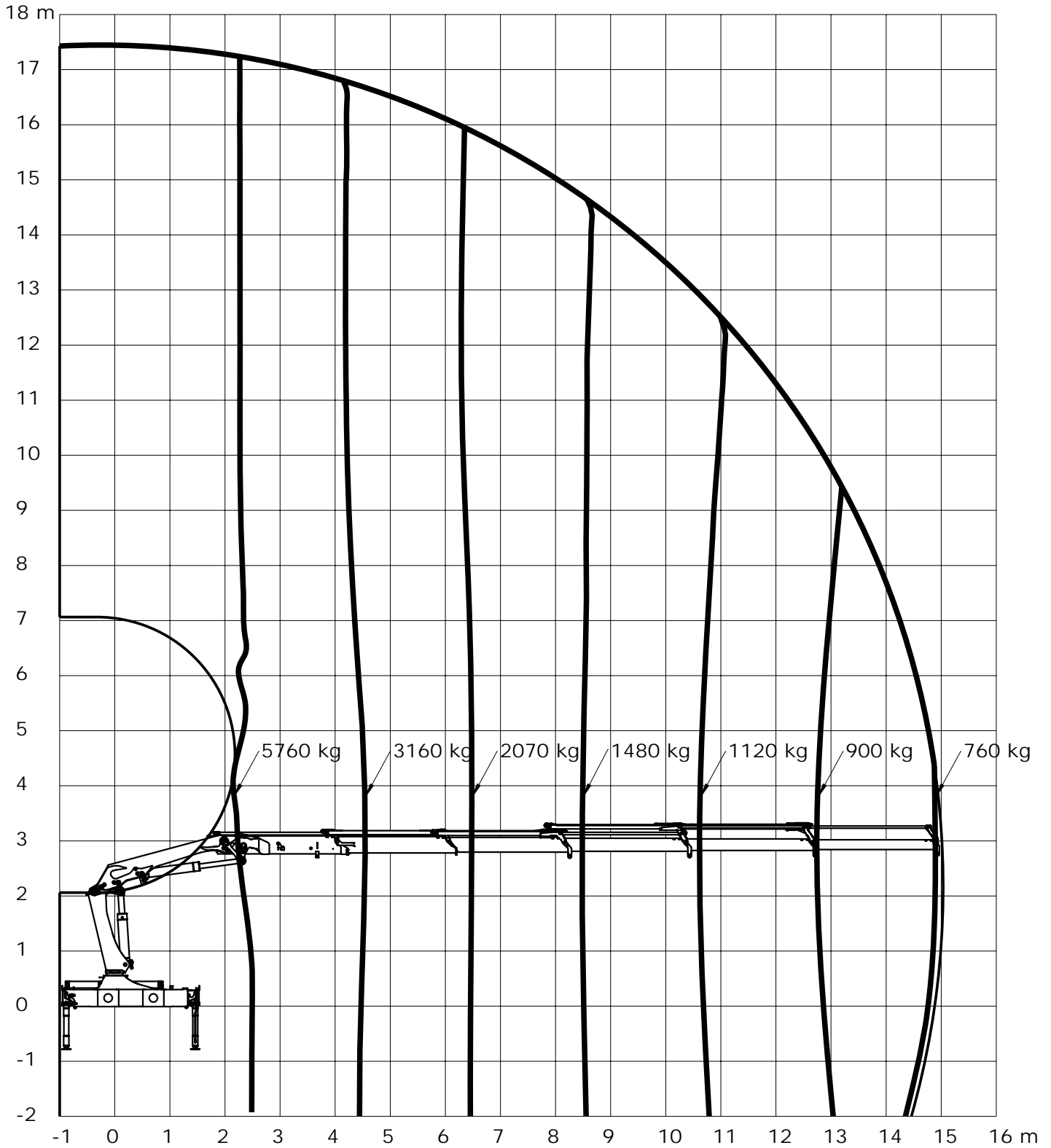


Loading group: EN12999 H1/B3



## Lifting capacity diagram, K5

Catalogue no.	Section
31 086	225
Date	Page
05-07-2007	1 (1)



Loading group: EN12999 H1/B3

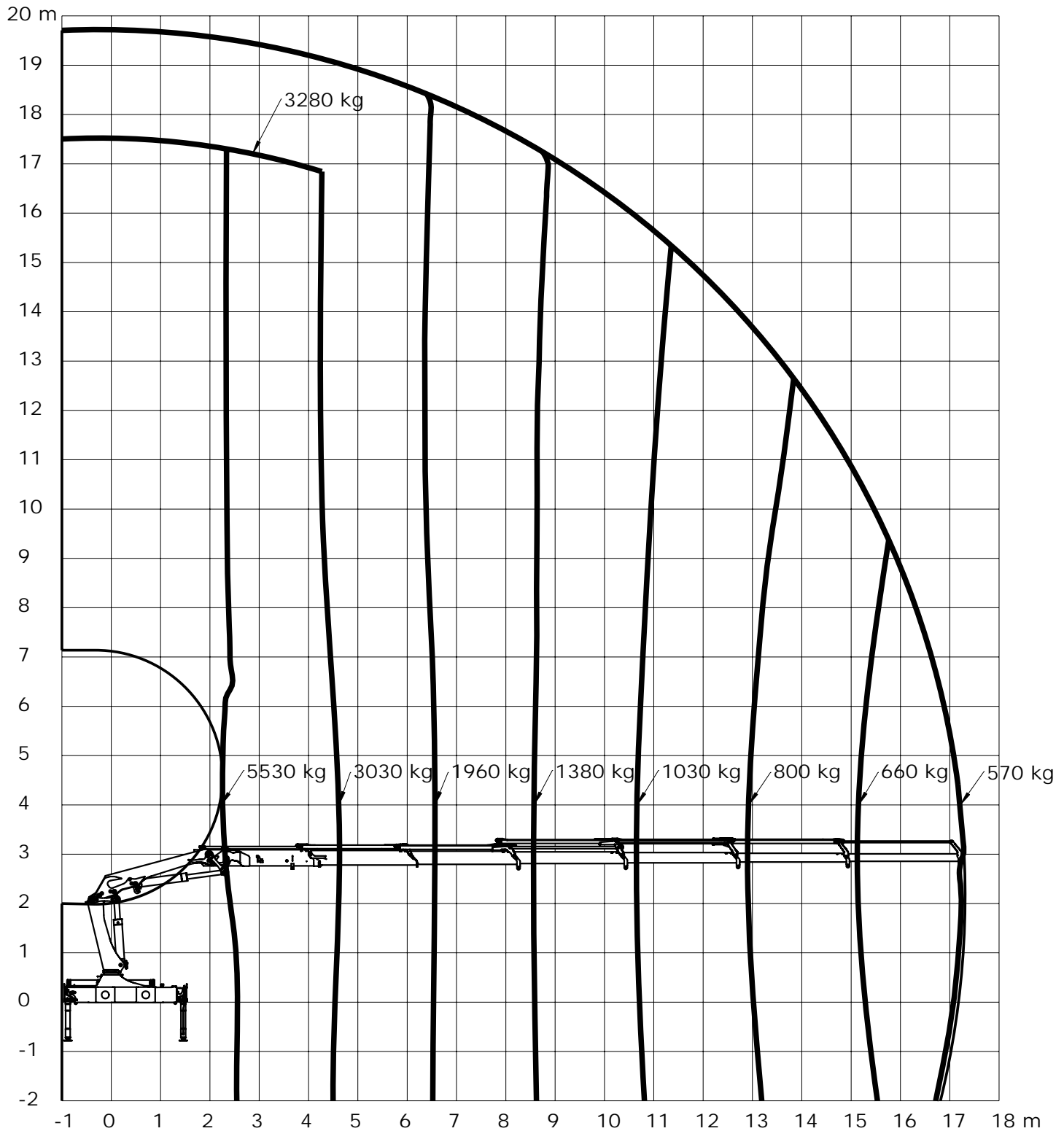


# Technical Information 1720-K



## Lifting capacity diagram, K6

Catalogue no.	Section
31 086	226
Date	Page
05-07-2007	1 (1)



Loading group: EN12999 H1/B3



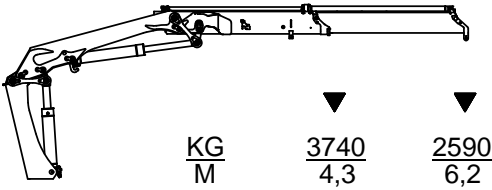
# Technical Information 1720-K



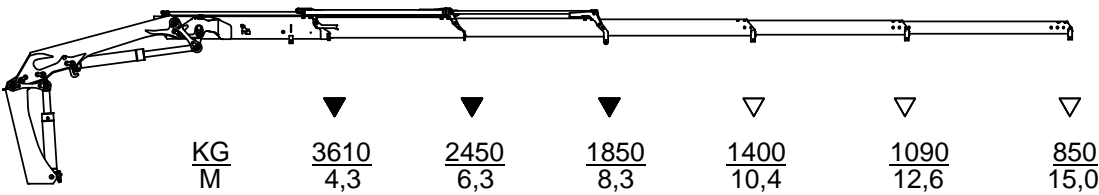
## Lifting capacity, K1-K6

Catalogue no.	31 086	Section	235
Date	05-11-2010	Page	1 (1)

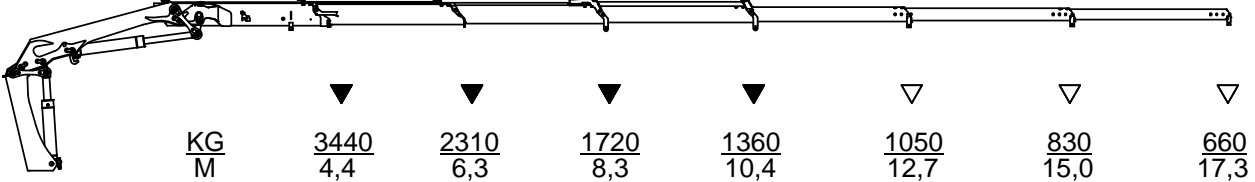
K1



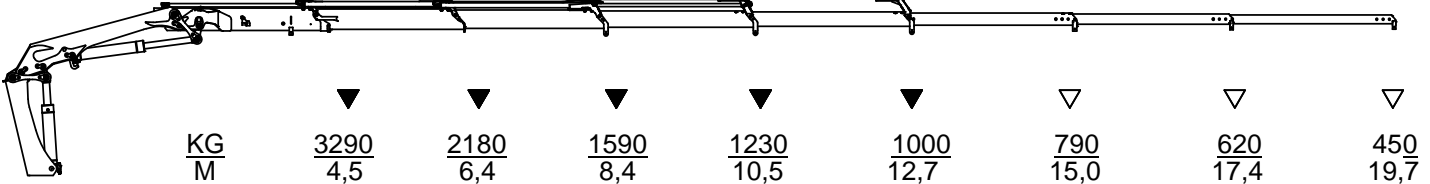
K2



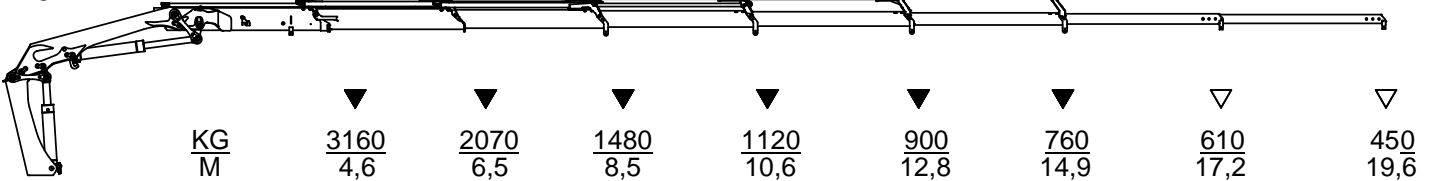
K3



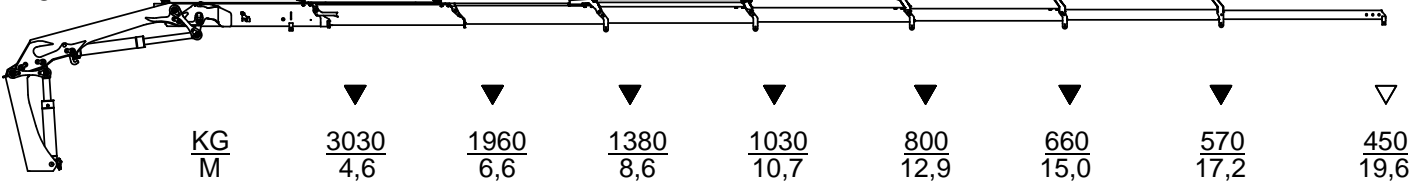
K4



K5



K6



▽ Løfteevne med forlængerarme/Lifting capacity with man. extensions

▼ Løfteevne uden forlængerarme/Lifting capacity without man. extensions



# Technical Information, 1720-K



## Technical Data, 1720-K with Fly-jib

Catalogue no.	31 086	Section	250
Date	18-03-2009	Page	1(1)

### Performance

		1720-K3 FJ600-K3	1720-K3 FJ600-K4	1720-K4 FJ350-K3	1720-K4 FJ350-K4	1720-K5 FJ350-K3	1720-K5 FJ350-K4
Hydraulic reach	m	19,2	21,2	21,4	23,4	23,5	25,5
Hydraulic telescopic movement	mm	5450	7400	5450	7400	5450	7400
Out-reach with manual extensions	m	23	23,1	25,2	25,3	27,4	27,5
Lifting capacity, hydraulic	kg-m	630 - 13,6	575 - 13,7	455 - 15,8	400 - 15,9	270 - 18,0	220 - 18,0
		540 - 15,3	480 - 15,4	390 - 17,5	340 - 17,6	230 - 19,7	180 - 19,8
		470 - 17,2	410 - 17,2	345 - 19,4	295 - 19,4	200 - 21,5	150 - 21,6
		415 - 19,1	360 - 19,1	295 - 21,3	245 - 21,3	180 - 23,4	130 - 23,5
Lifting capacity, manual extensions	kg-m	355 - 20,9	280 - 23,0	215 - 23,2	145 - 25,2	145 - 25,3	85 - 27,4
		310 - 22,9		165 - 25,1		105 - 27,3	

### Dimensions

Height above chassis	mm	2635	2635	2630	2630	2635	2635
Width	mm	2500	2500	2500	2500	2500	2500
Length, without extra valve kit on fly-jib	mm	950	950	950	950	950	950
Length, with extra valve kit on fly-jib	mm	1045	1045	1030	1030	1040	1040

### Weights

Fly-Jib 1)	kg	470	530	395	450	395	450
Manual extensions	kg	30	20	30	20	30	20
	kg	20		20		20	
1 extra valve (hose reels)	kg	45	45	45	45	45	45
2 extra valves (hose reels)	kg	90	90	90	90	90	90

1) Weights ± 5% because of tolerances for plate thickness

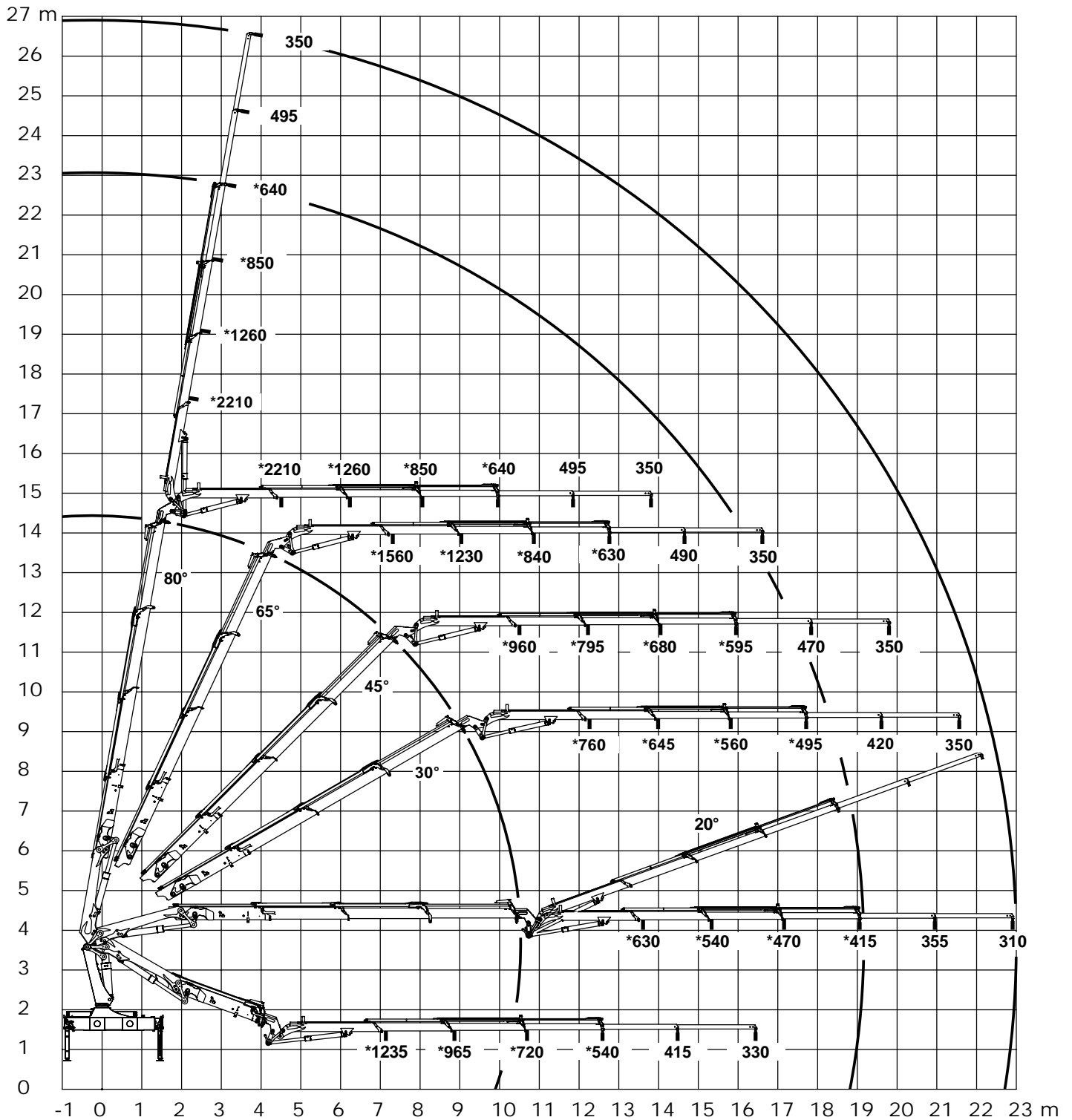


# Technical Information 1720-K



## Lifting capacity diagram, 1720-K3 with FJ600 K3

Catalogue no.	Section
31 086	253
Date	Page
12-01-2009	1 (1)



\*Uden forlængerarme  
 \*Without manual extensions  
 \*Ohne Verlängerungen

- power to lift. -

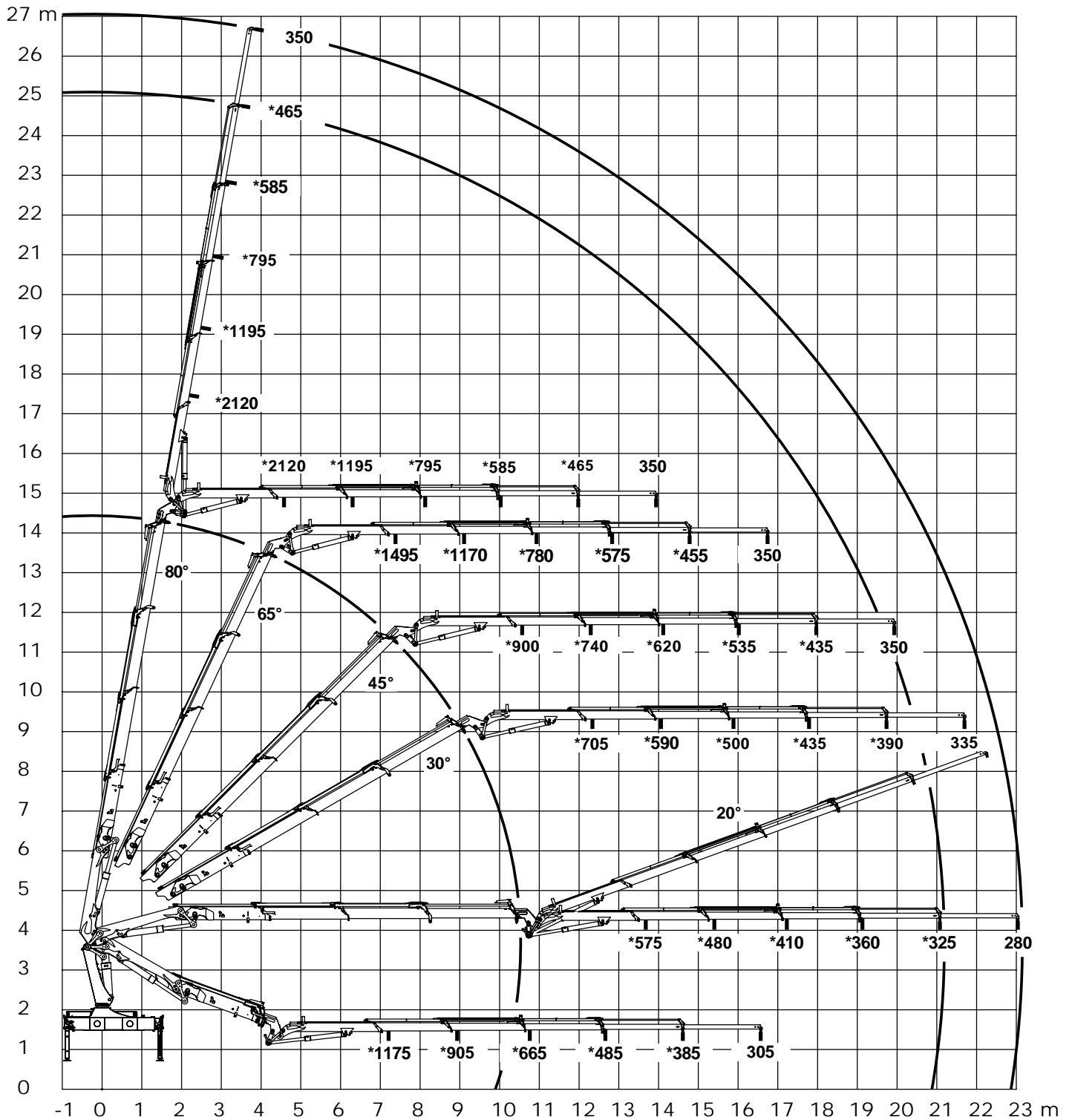


# Technical Information 1720-K



## Lifting capacity diagram, 1720-K3 with FJ600 K4

Catalogue no.	Section
31 086	254
Date	Page
12-01-2009	1 (1)



\*Uden forlængerarme  
 \*Without manual extensions  
 \*Ohne Verlängerungen

- power to lift. -

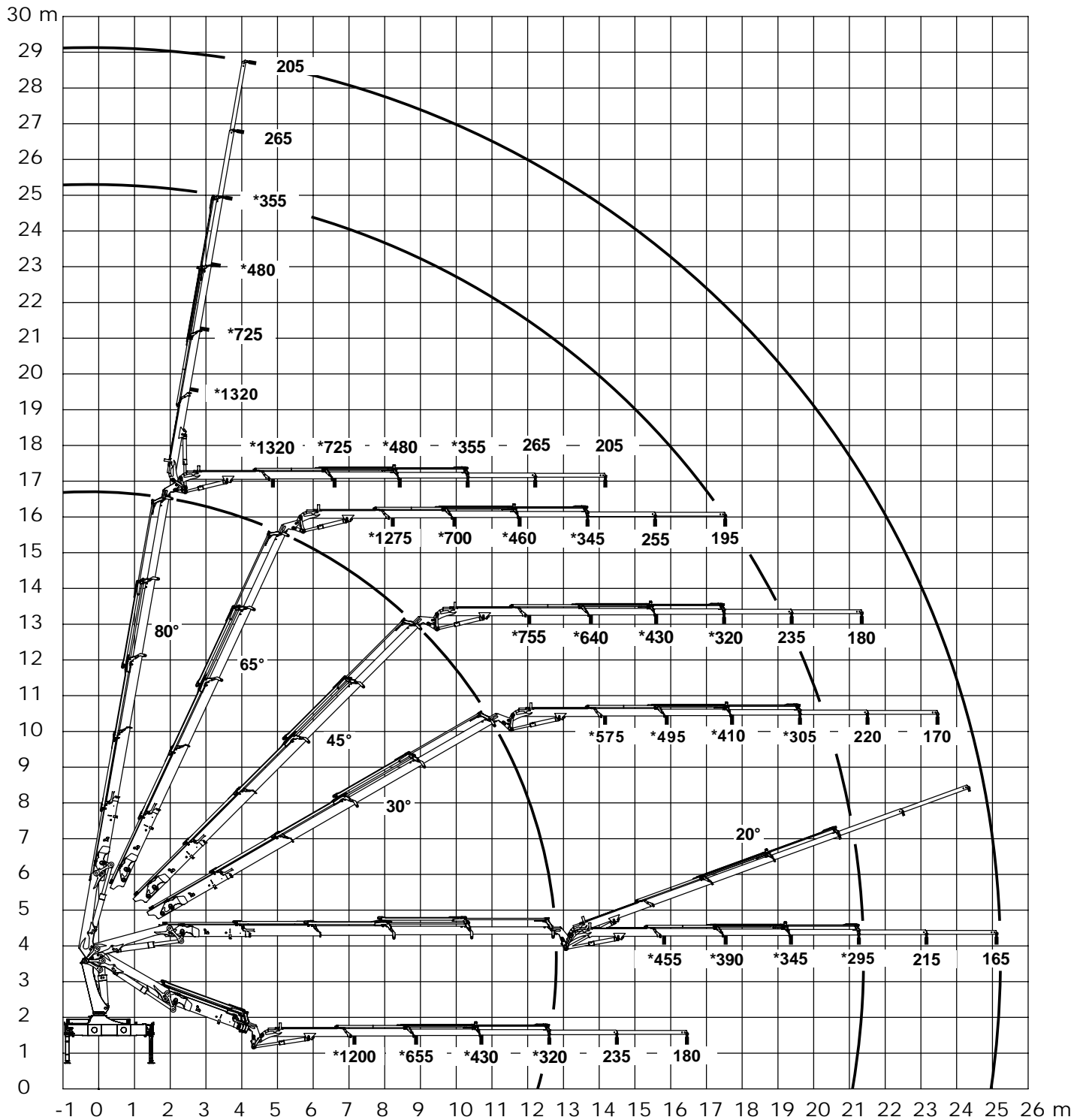


# Technical Information 1720-K



## Lifting capacity diagram, 1720-K4 with FJ350 K3

Catalogue no.	Section
31 086	255
Date	Page
12-01-2009	1 (1)



\*Uden forlængerarme  
 \*Without manual extensions  
 \*Ohne Verlängerungen

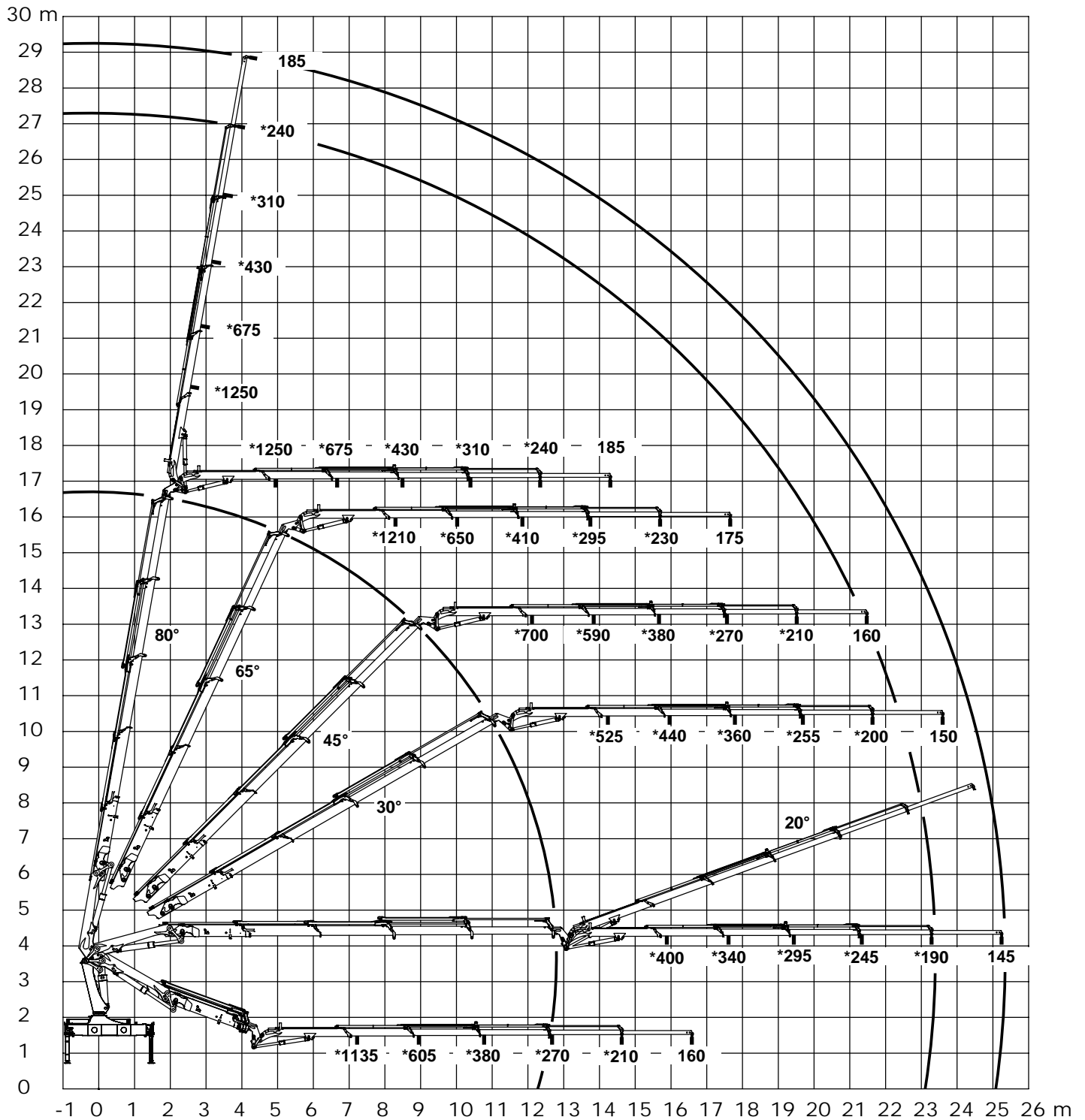


# Technical Information 1720-K



## Lifting capacity diagram, 1720-K4 with FJ350 K4

Catalogue no.	Section
31 086	256
Date	Page
12-01-2009	1 (1)



\*Uden forlængerarme  
 \*Without manual extensions  
 \*Ohne Verlängerungen

- power to lift. -

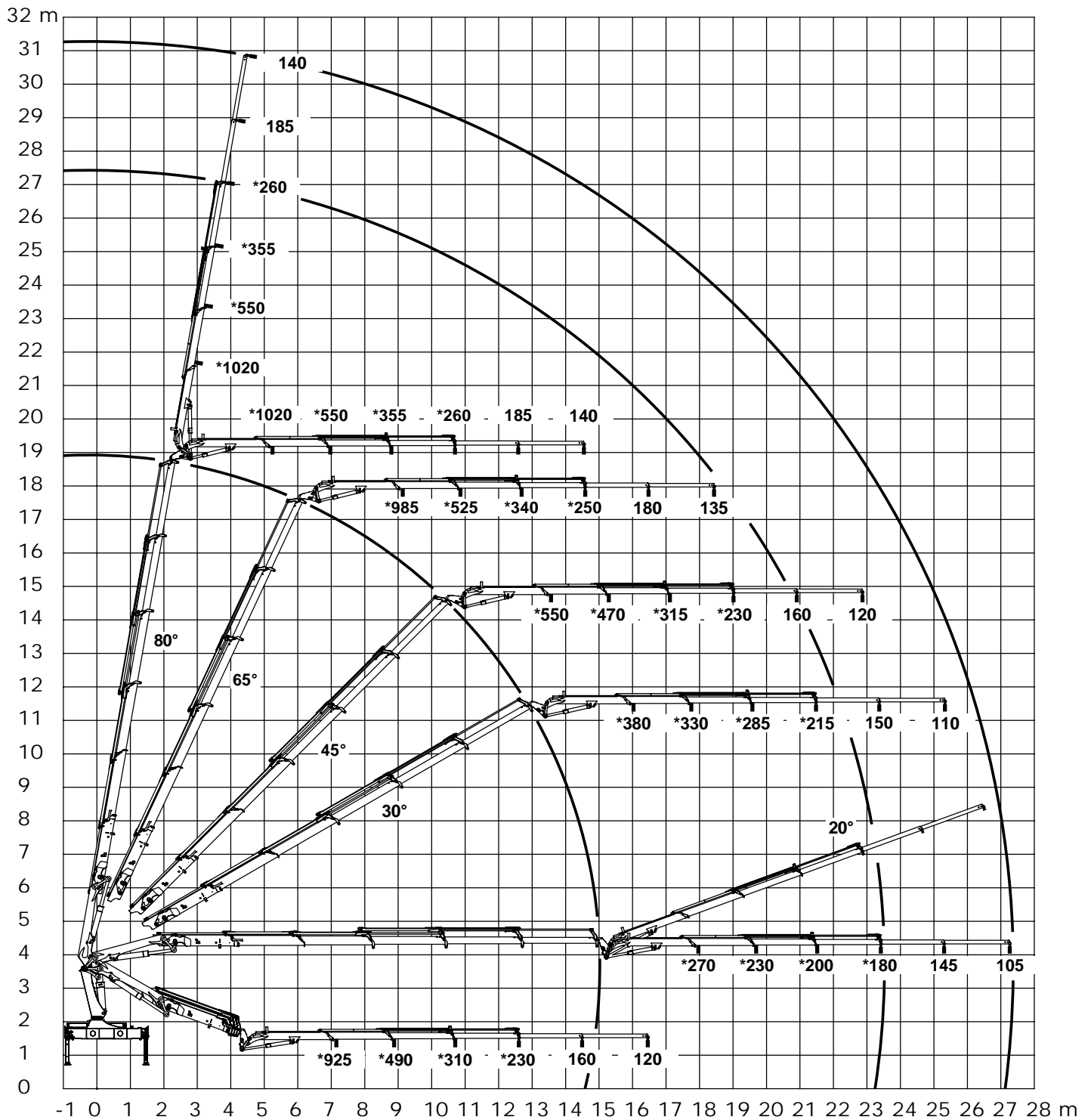


# Technical Information 1720-K



## Lifting capacity diagram, 1720-K5 with FJ350 K3

Catalogue no.	Section
31 086	257
Date	Page
12-01-2009	1 (1)



\*Uden forlængerarme  
 \*Without manual extensions  
 \*Ohne Verlängerungen

- power to lift. -

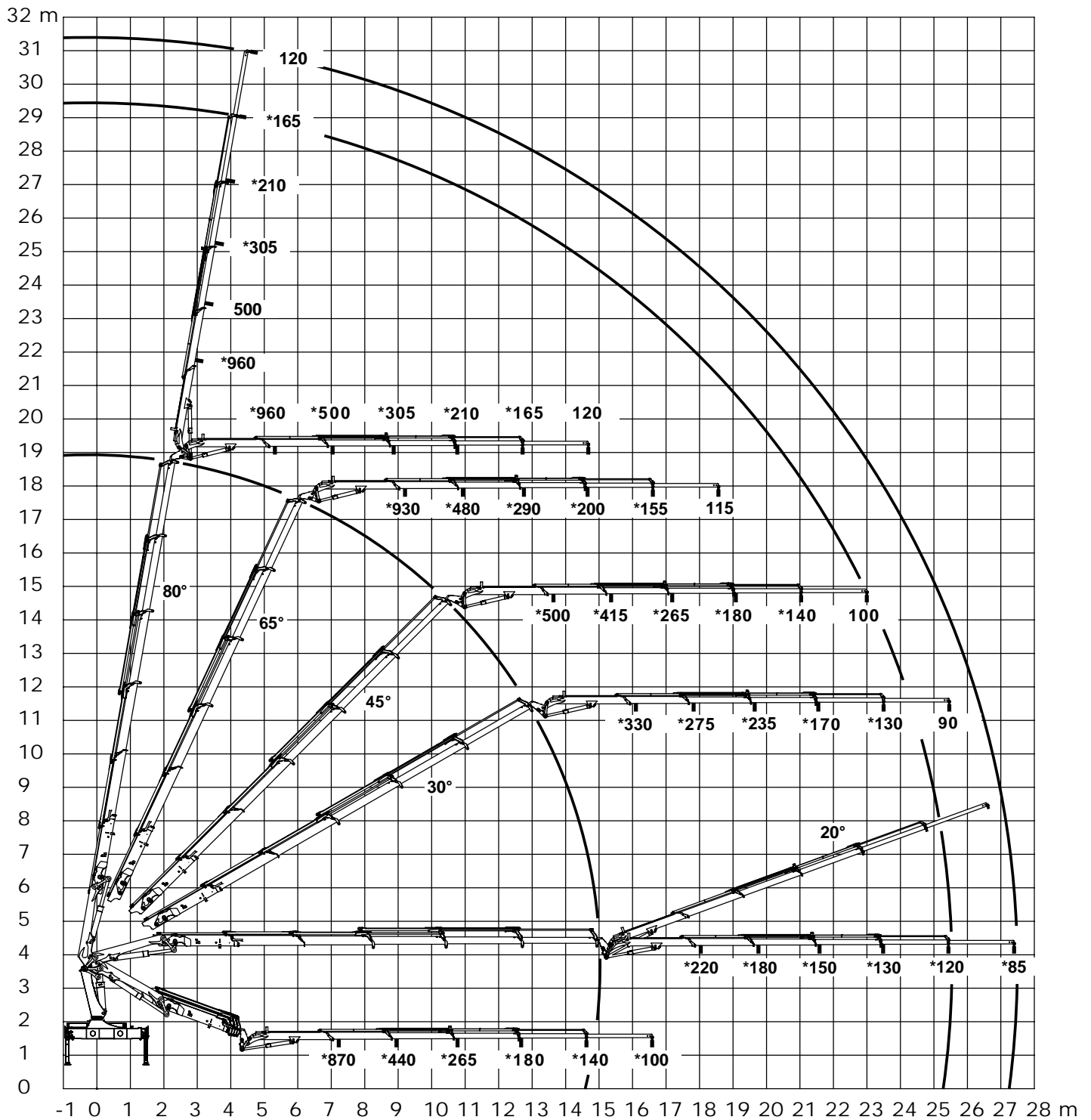


# Technical Information 1720-K



## Lifting capacity diagram, 1720-K5 with FJ350 K4

Catalogue no.	Section
31 086	258
Date	Page
12-01-2009	1 (1)



\*Uden forlængerarme  
 \*Without manual extensions  
 \*Ohne Verlängerungen

- power to lift. -



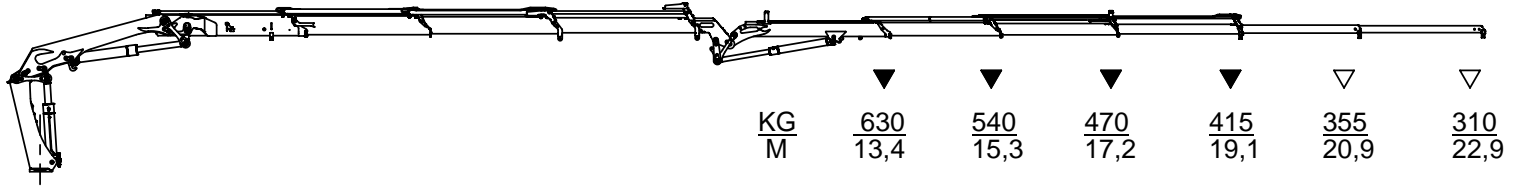
# Technical Information 1720-K



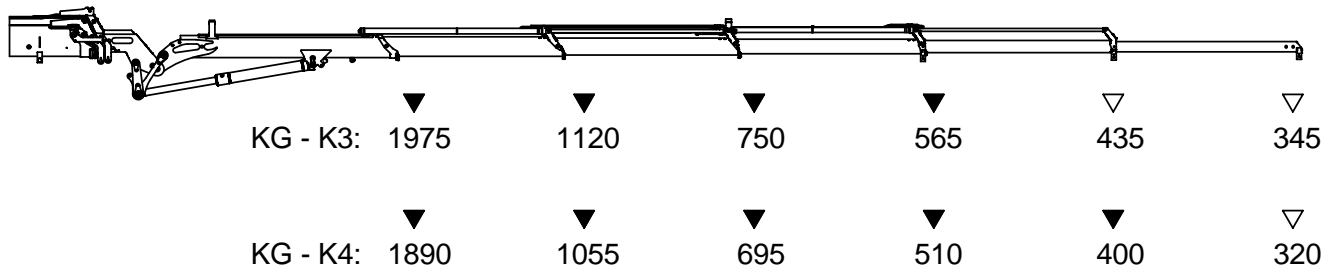
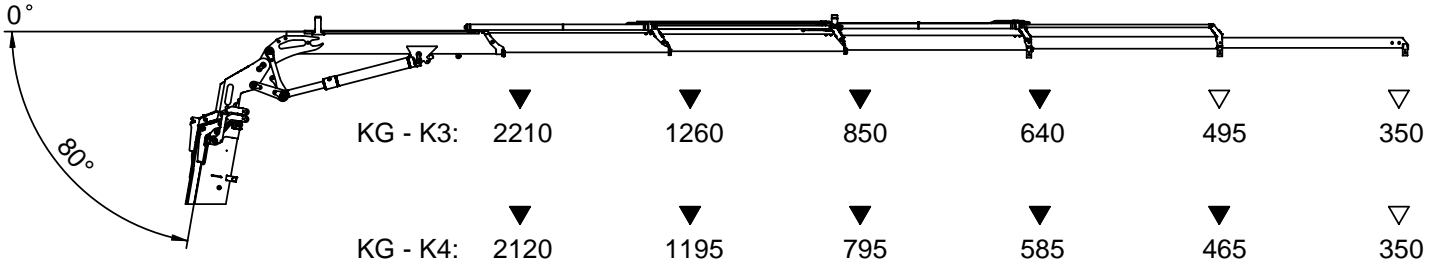
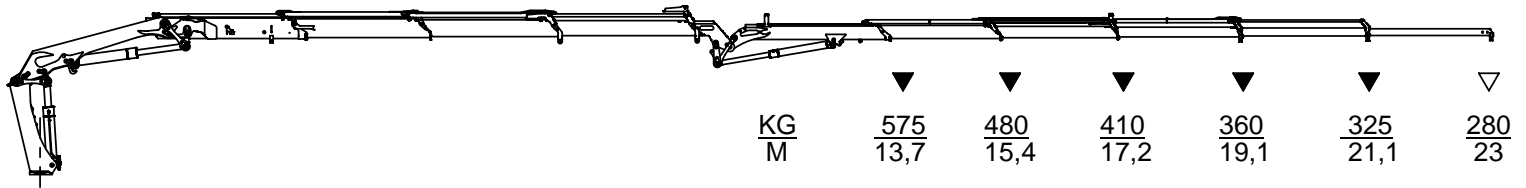
## Lifting capacity, 1720-K3 with FJ600

Catalogue no.	Section
31 086	260
Date	Page
26-01-2009	1 (1)

K3 + FJ 600 K3



K3 + FJ 600 K4



- ▽ Løfteevne med forlængerarme/Lifting capacity with man. extensions
- ▼ Løfteevne uden forlængerarme/Lifting capacity without man. extensions

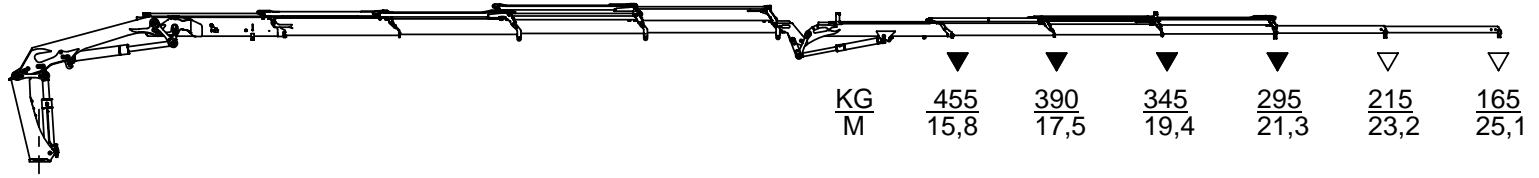
# Technical Information 1720-K



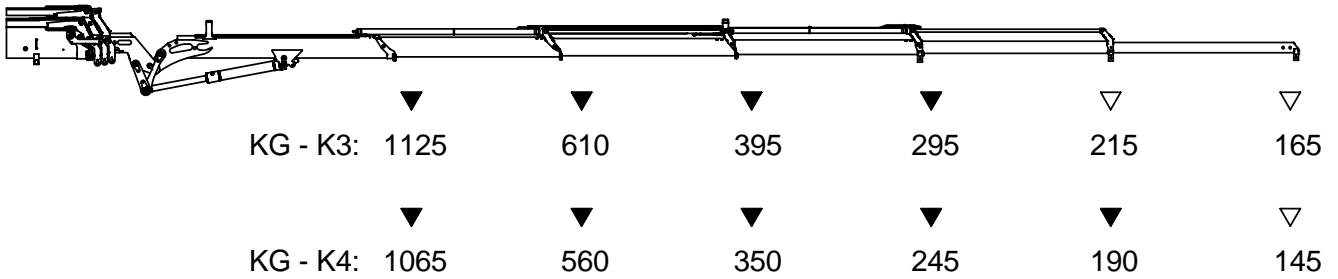
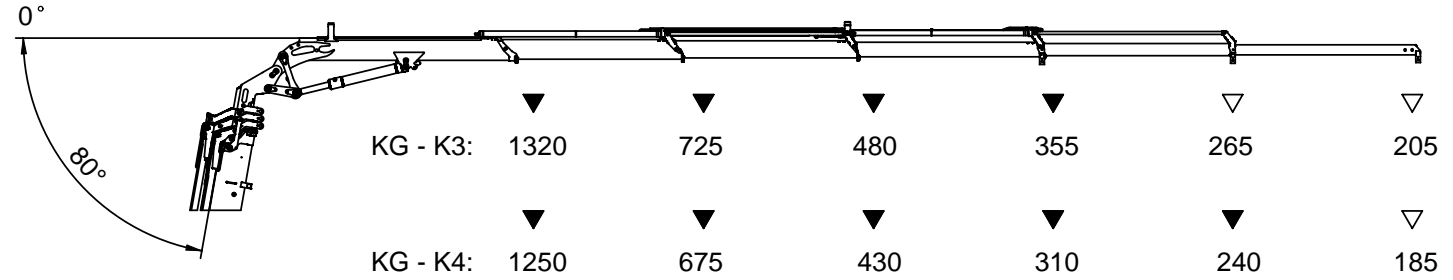
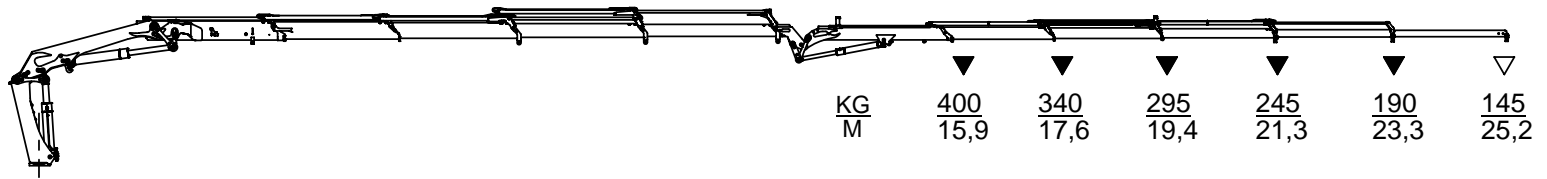
## Lifting capacity, 1720-K4 with FJ350

Catalogue no.	Section
31 086	261
Date	Page
26-01-2009	1 (1)

K4 + FJ 350 K3



K4 + FJ 350 K4



- ▽ Løfteevne med forlængerarme/Lifting capacity with man. extensions
- ▼ Løfteevne uden forlængerarme/Lifting capacity without man. extensions





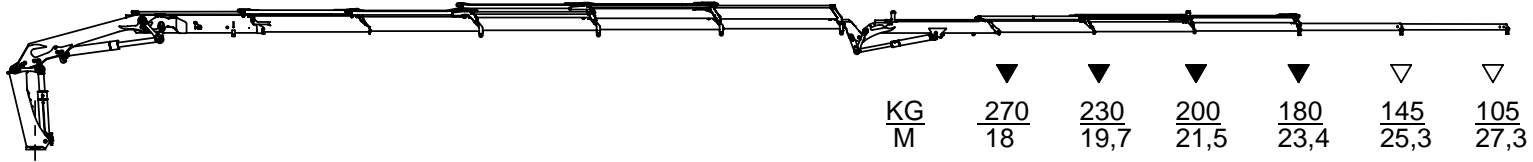
# Technical Information 1720-K



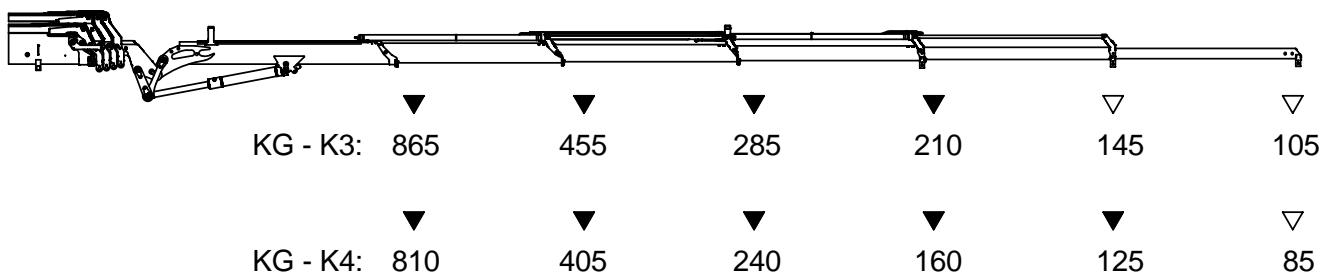
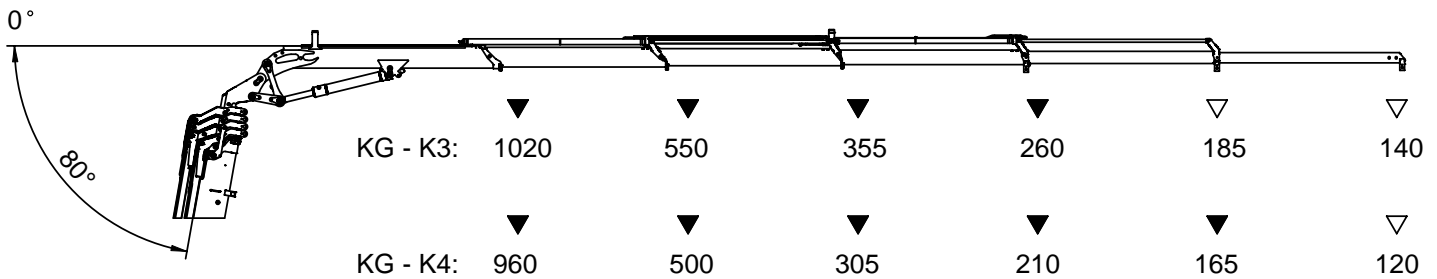
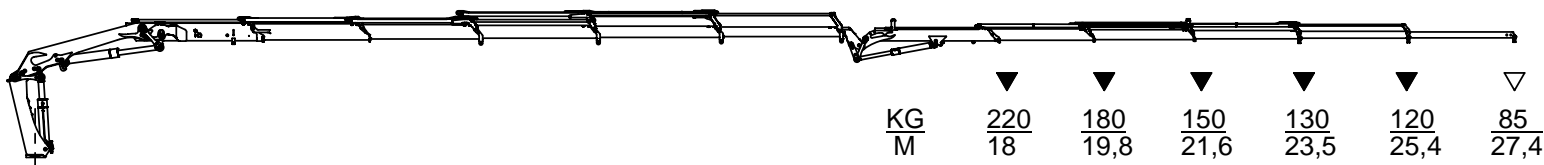
## Lifting capacity, 1720-K5 with FJ350

Catalogue no.	Section
31 086	262
Date	Page
26-01-2009	1 (1)

K5 + FJ 350 K3



K5 + FJ 350 K4



▽ Løfteevne med forlængerarme/Lifting capacity with man. extensions

▼ Løfteevne uden forlængerarme/Lifting capacity without man. extensions

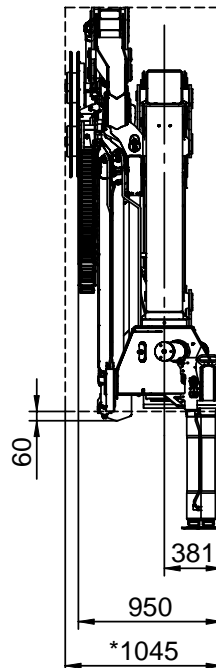
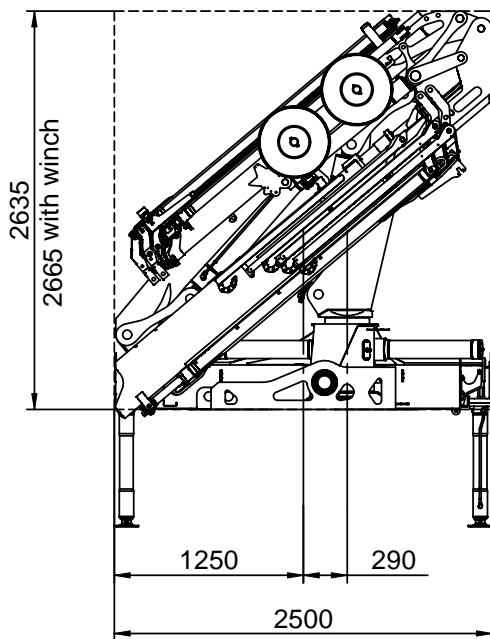
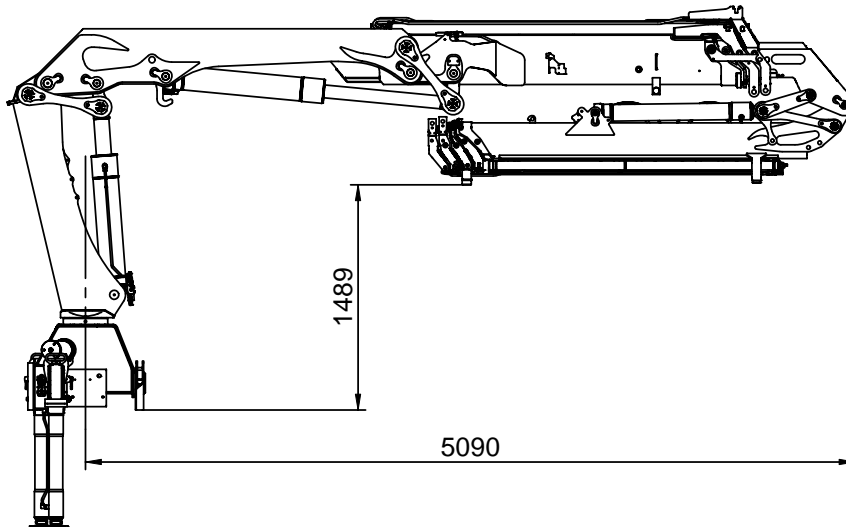
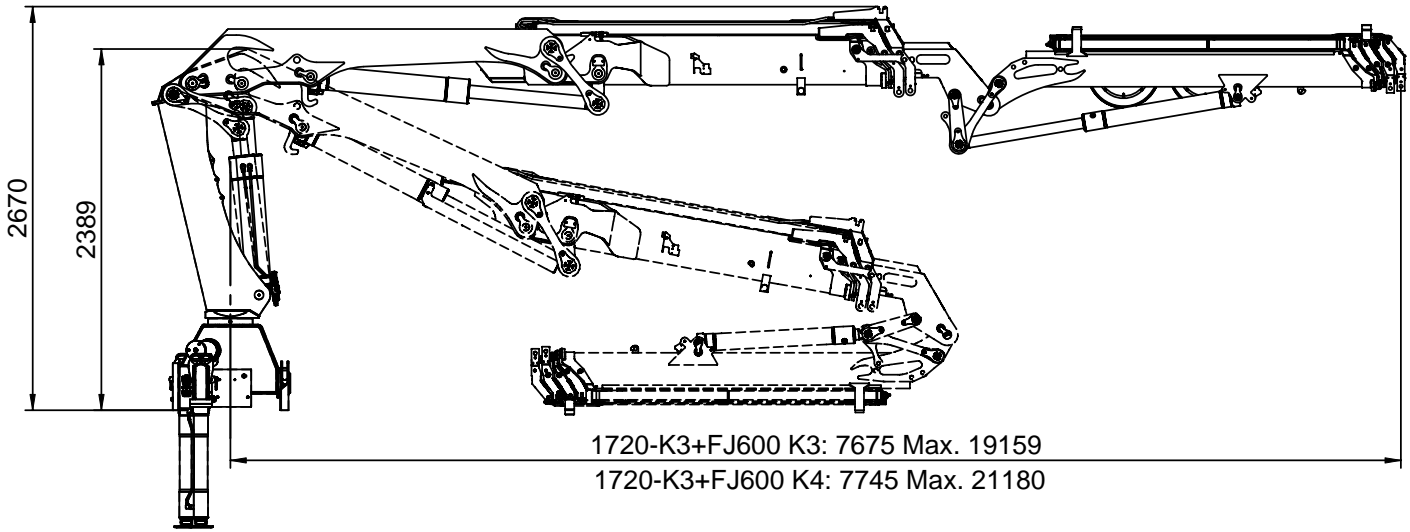


# Technical Information 1720-K



## Dimension sketch, 1720-K3 with FJ600

Catalogue no.	Section
31 086	265
Date	Page
18-03-2009	1 (1)



\*Extra valve kit on Fly-jib

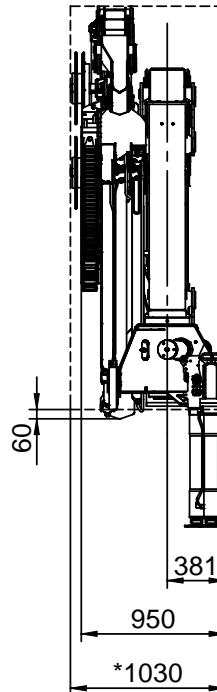
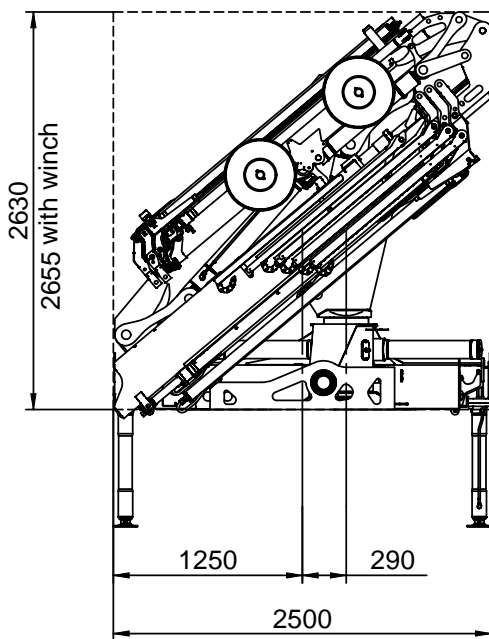
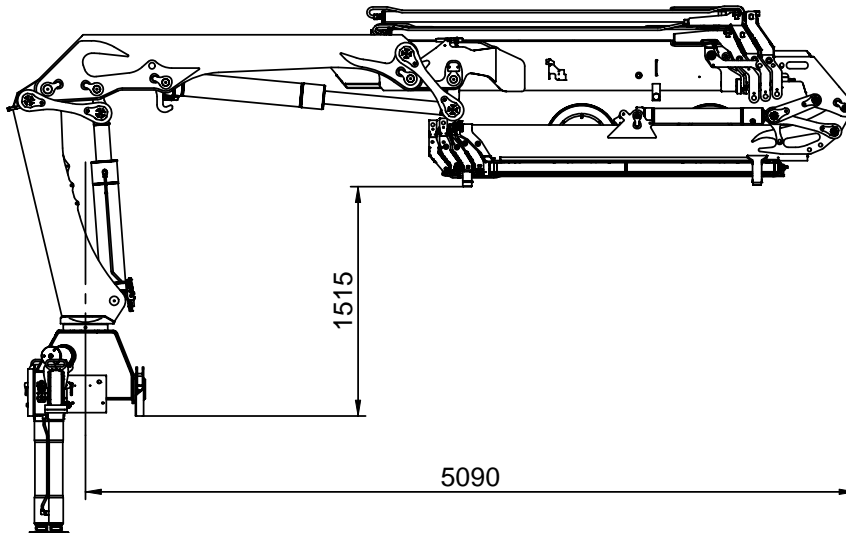
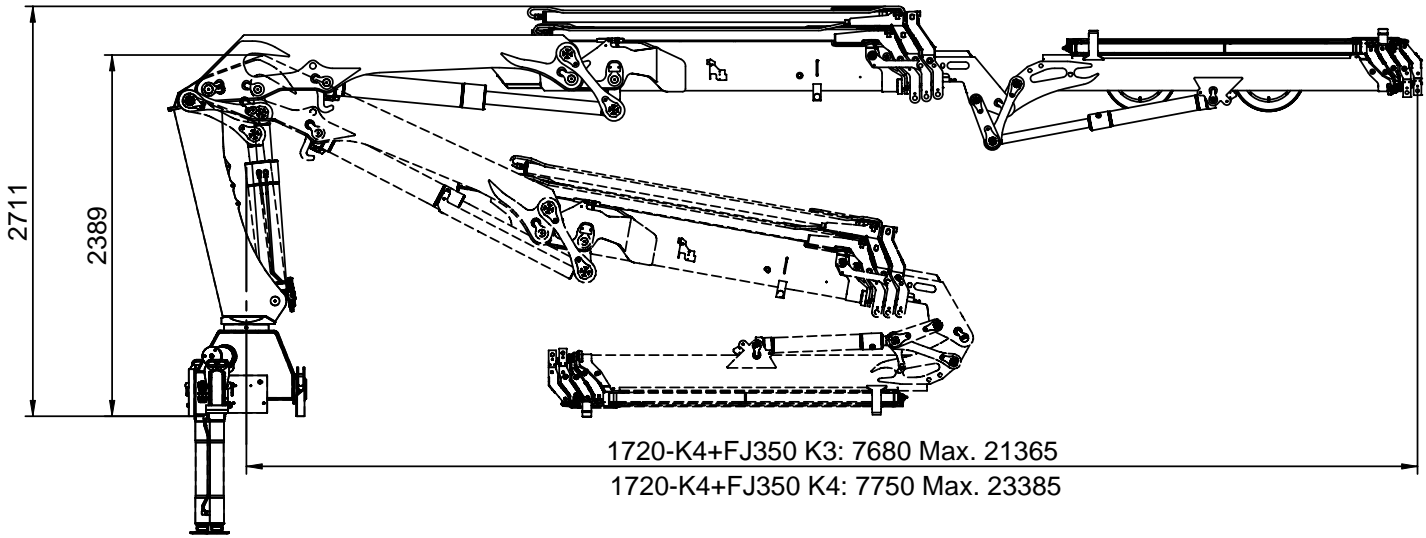


# Technical Information 1720-K



## Dimension sketch, 1720-K4 with FJ350

Catalogue no.	Section
31 086	266
Date	Page
18-03-2009	1 (1)



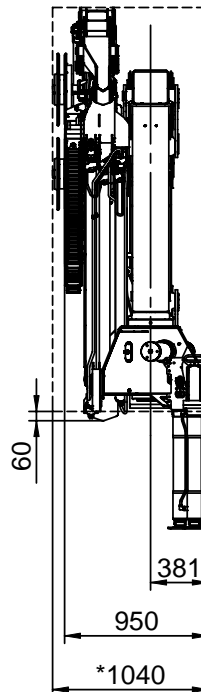
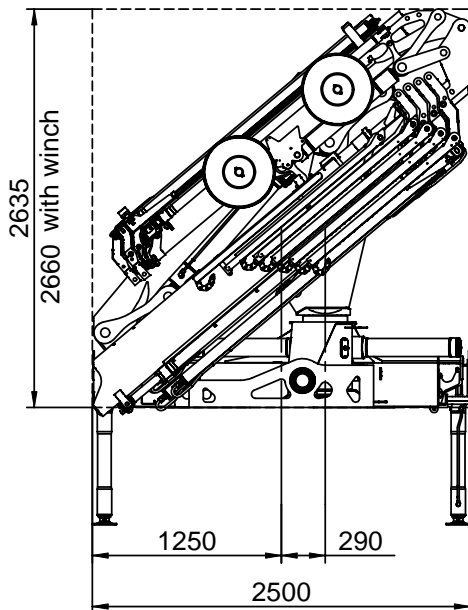
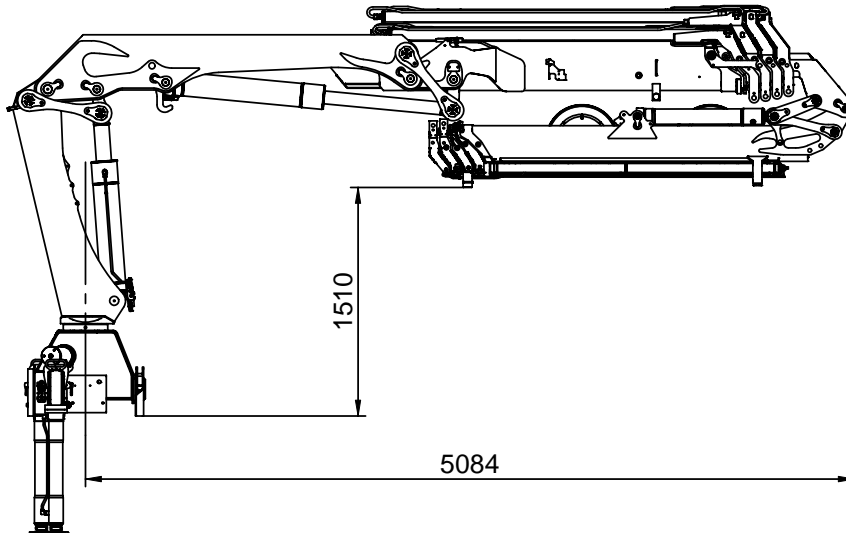
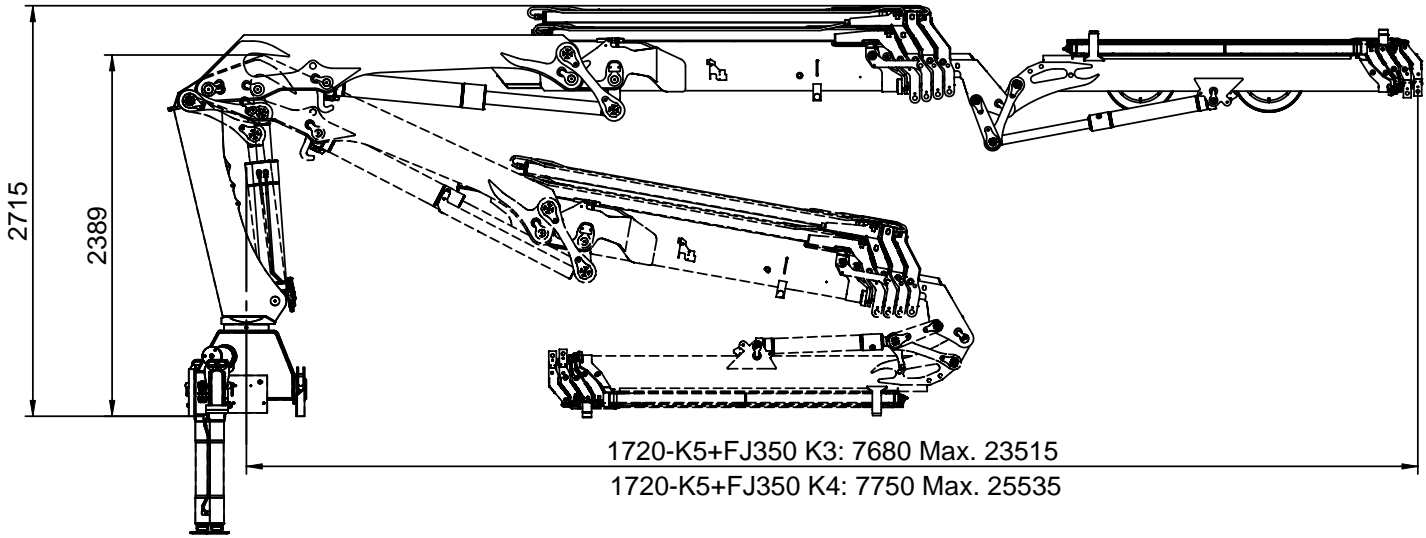
\*Extra valve kit on Fly-jib

# Technical Information 1720-K



## Dimension sketch, 1720-K5 with FJ350

Catalogue no.	Section
31 086	267
Date	Page
18-03-2009	1 (1)



\*Extra valve kit on Fly-jib

